

## SMALL PARCEL & BAGGAGE X-RAY IMAGING SYSTEM

# XRC 60-40DV



Quick and robust inspection is easily achieved with the XRC 60-40DV thanks to its **Liquid Explosive Detection Systems (LEDS) Standard 2 and Standard 3 Type C** issued by **European Civil Aviation Conference (ECAC)** and **American Transportation Safety Administration (TSA) ACSTL** certification. It facilitates the operators use thanks to the various image processing functions, hazard alarm, advanced computer technology and the best in class software and enables easy identification of potentially threatening objects such as cutting tools, explosives narcotics and minimizes the error rate.

It is designed with **dual view (DV)** technology. Thanks to its 2 x-ray generator sources, it provides high resolution and detailed imaging in horizontal and vertical angles. The images can be accessed with a single scan without the need to re-place the packages in a different orientation. Thus, hidden objects in the luggage are detected more easily and quickly. With the help of its multi-diode structure and quality in imaging of scanned objects, image is colored based on density and shows organic, inorganic and mixed materials in different tones. Small handbags, packages parcels and cabin baggage are suitable for scanning and offers the ideal solution for locations where security screening is required like airports checkpoints, police departments, ministries, prisons, institutions, courts, airlines, international customs logistics.

# TECHNICAL DATA XRC 60-40DV

## PHYSICAL PROPERTIES

Tunnel Size	: 610 mm x 420 mm
(W x H)	: 24,02 in x 16,54 in
Dimensions	: 2220 mm x 1370 mm x 1270 mm
(L x H x W)	: 87,40 in x 53,94 in x 50 in
Approx. Weight Unpacked	: ~725kg (1598 lbs.)
Conveyor Height*	: 810 mm (31,89 in)
Conveyor Load Capacity	: 165 kg (364 lbs.) Evenly Distributed
System Power	: 110/220V AC $\pm$ 10% 50/60 Hz, 8A/4A
Conveyor Speed	: 0,20 m/sec. (+/- 20%) Forward or Reverse

## X-RAY GENERATOR & IMAGE PERFORMANCE

Steel Penetration <sup>1</sup>	: 40 mm guaranteed; 42 mm typical
Wire Resolution <sup>1</sup>	: 38 AWG guaranteed; 40 AWG typical
Anode Voltage	: 170kV, operating at 160kV
Tube Current	: 1,0 mA
Beam Direction	1st Generator : Vertically upward 2nd Generator : Horizontally sideward
Article Separation	: Low Z, Medium Z, High Z to 0,5 Z Accuracy, Organic, InOrganic, Metallic
Cooling	: Oil and forced air cooling

## COMPUTER SPECIFICATIONS

Processor	: Intel® Core™ i5 (or superior)
Monitor	: Dual 21,5" Flat LCD Monitor Min.1280x1024 Resolution (or superior)
Memory	: 4 GB RAM (or superior)
Video Card	: 2 GB (or superior)
Hard Drive	: 1 TB (or superior)
USB Port	: 6 port (or superior)
Operating System	: Linux

## OPERATING ENVIRONMENT

Storage / Operating Temperature	: -20°C to 50°C / 0°C to 40°C (-4°F to 122°F / 32°F to 104°F)
Relative Humidity	: 0% to 95% non-condensing
Duty Cycle 100% (24 Hours),	No warm-up required

## STANDARD FEATURES

Programmable Function Keys  
Parcel Counter  
Date and Time Display  
Virtual Threat Image Projection (TIP)  
Organic/Inorganic Threat Alarm  
Operator Training Program (OTP)  
UPS (For Computer Supply)  
Multi Languages  
Self Diagnosis  
Generator Timer  
Bi-Directional Scanning  
Automatic Stop Conveyor  
Emergency stop buttons

## OPTIONAL FEATURES

Barcode Reader System  
External Camera Archiving  
Remote Viewing Station  
Recheck Station  
Network Supervisory System (NSS)  
Remote Access Connection  
Smart Card Login  
3D Perspective View

## HEALTH AND SAFETY

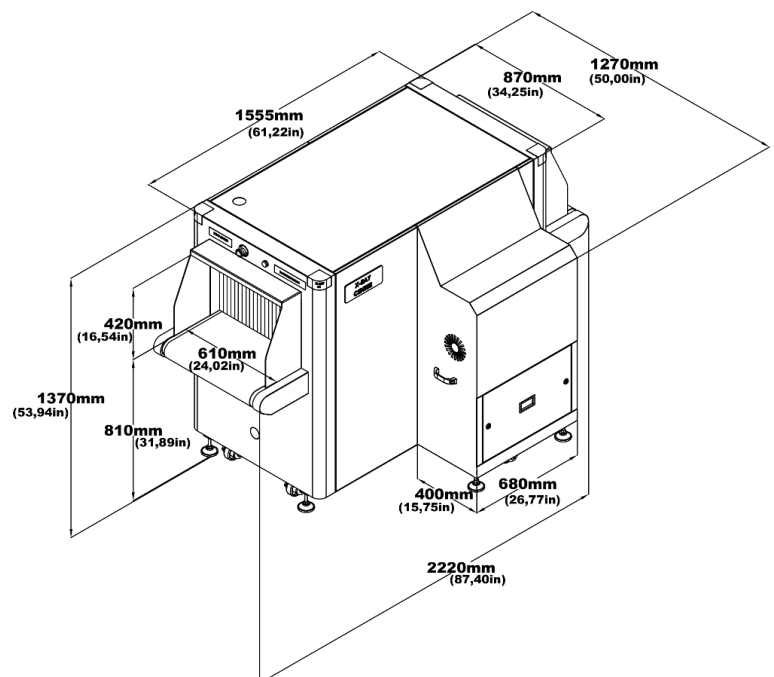
All X-Ray Center Ltd products meet all applicable international health and safety regulations.  
Safety Interlock Switches: To protect against radiation hazards In case of opening the sensitive lids of the machine, there are Safety Interlock Switches to prevent radiation leakage.  
Made of strong materials and durable to scratch and rust.  
US FDA Federal Standard 21CFR 1020.40  
Health and Safety at Work Act 1974-compliant 6 : Available  
Film Safety : ISO 1600 / 33 DIN  
CE Compliance : Certified  
FCC & IEC Compatibility : Available  
IP 20 Safety : Certified  
Maximum level of radiation the exterior panels come in contact with is 0.1 mR/hour

## STANDARD IMAGE PROCESSING FEATURES

Perfect View (Detail Enhancement) (PV)  
Edge Enhancement (EE)  
Pseudo Color (PS)  
Organic Materials (OM)  
Inorganic Materials (IM)  
Black & White (B/W)  
Inverse Colors (IN)  
High Penetration (HP)  
Variable Edge Enhancement (+E -E)  
Variable Density (+D -D)  
Variable Gamma (+G -G)  
Variable Color Separation (+C -C)  
Zoom (64x)  
Sniper Zoom  
Recall Previous Images (100,000 or superior)  
Manual/Automatic Archive (100,000 or superior)  
Annotated Archive  
Multi Energy Viewer (4 - 6 Color)  
Atomic Number Display (Z Value)

## OPTIONAL ACCESSORIES

External UPS (For system)  
Operator Console (Open-Closed/Adjustable/I-stand)  
21,5"- 27" Flat Monitor  
Input / Output Rollers  
Test Kit (STP/ASTM)  
Protective Cover  
Search Table  
Tray Return System (Motorized/Gravity)  
Inclined Conveyor  
Ultrasonic Rat Repellent  
Radiation Meter



<sup>1</sup>As tested on X-Ray Center Ltd. test piece. Conveyor speed is 0.20 m/sec. \*Level adjusting feet.  
Products certified as TSA, ECAC and so on are available as an option. Please inquire from your dealer.  
Due to continuous product development, X-Ray Center reserves the right to change specifications without notice.

