



2024

x-raycenter.com

Protecting the world from hidden threats!

Beylikdüzü OSB. Mah. 10.Cad.
No:14 Beylikdüzü – İstanbul – Turkey
Tel: +90 (212) 422 50 20
www.x-raycenter.com
info@x-raycenter.com



ABOUT X-RAY CENTER

XRC was established in 1998 with the goal of protecting the world from hidden threats.

In 2010, XRC began developing and manufacturing its own innovative brand of x-ray security screening systems.

Today, XRC is the only x-ray security screening system manufacturer in Turkey, and one of only a handful of manufacturers in the entire world who produces x-ray Security screening systems that have been tested and approved by the **United States Transportation Security Administration (TSA)** and the **European Civil Aviation Conference (ECAC)**. TSA and ECAC employ the highest testing standards in the industry to ensure the protection of the world's transportation systems. In 2021, XRC was an exclusive provider of X-ray security screening systems for the 2020 Tokyo Olympics.

In just one decade, XRC has grown from a small national manufacturer to one that has over thirty different products deployed in every continent in the world except Antarctica.

In 2020, we responded to the Covid-19 pandemic by expanding our mission to protect the world from exposure to deadly pathogens, including SARS-CoV-2. We invested a great deal of our financial and human resources into developing systems that could reduce the risk of spreading SARS-CoV-2. The result is a new line of innovative products that use UVC light to disinfect surfaces containing pathogens, including a tunnel type baggage disinfection system that eliminates 99.99% of SARS-CoV-2 and other viruses and 99.9% of bacterial pathogens.

The founder of X-Ray Center is Agop Havluciyen whose guiding principle in life and business can be summed up in one word: INTEGRITY. So at the heart of everything we do is integrity. This is our True North, and in an industry which serves to protect people from harm, there is nothing more important than that principle. It guides our research and development, it guides our commitment to quality, it guides our after-sales maintenance and service, and it guides how we treat our customers, our suppliers and our employees. This one quality is the reason why XRC quickly became a trusted brand within our native country of Turkey, and it is the reason why we have been able to grow our business worldwide in a short period of time.



Provider of X-Ray Security Systems for the 2020 Tokyo Olympics



MILESTONES

- 2010** Deep R&D studies on X-Ray baggage scanning systems were started in Bakirkoy-Istanbul, Turkey.
- 2011** X-Ray Center was entitled to obtain a production license under the XRC brand.
- 2012** The first State Airports Authority (DHMI) tender was won.
- 2013** Cooperation with the Ministry of Customs & Trade and Airports was established.
- 2014** Collaboration with the Defense Technologies Center was started.
First Mobile Trailer devices started to be produced.
- 2015** A new factory was established in Beylikdüzü-Istanbul, Turkey and the general directorate was moved here.
- 2016** First Mobil Van device was produced.
- 2017** XRC 100-100LC has been approved by the French Civil Aviation Technical Service (STAC).
- 2018** XRC 60-40 was the first XRC device approved by TSA (American Transportation Security Administration).
XRC 60-40DV has been approved by TSA (American Transportation Security Administration).
XRC 100-100DV has been approved by TSA (American Transportation Security Administration).
- 2019** XRC 180-180DV (320kV) has been approved by TSA (American Transportation Security Administration).

Research on the 3D Imaging system has begun.
- 2020** Production of bags, packages and luggage surface cleaning system devices with UV-C rays began.
XRC 6040DV LED (Liquid Explosive Detection Systems) was the first XRC device to receive the C2 and C3 certificate from ECAC (European Civil Aviation Conference).

XRC 75-55DV has been approved by the TSA (American Transportation Security Administration).
XRC 100-100DV has been approved by the French Civil Aviation Technical Service (STAC).
- 2021** XRC 180-180DV (200kV) has been approved by TSA (American Transportation Security Administration)
XRC delivers its first 180-180DV (200kV) TSA approved systems to Turkish Airlines Cargo Unit
- 2022** XRC awarded contract for 41 dual-view systems by DHMI of Türkiye

SMALL PARCEL & BAGGAGE

XRC 50-30LCT (100kV)



NEW
Mobile, compact and light weight

PHYSICAL PROPERTIES

Tunnel Size	: 532 mm x 332 mm
(W x H)	: 20,94 in x 13 in
Dimensions	: 2300 mm x 1300 mm x 770 mm
(L x H x W)	: 90,55 in x 51,18 in x 30,31 in
Approx. Weight Unpacked	: ~450 kg (990 lbs.)
Conveyor Height	: 615mm (24,20 in)
Conveyor Load Capacity	: 165 kg (364 lbs.) Evenly Distributed
System Power	: 110/220V AC ± 10% 50/60 Hz
Conveyor Speed	: 0,20 m/sec. Forward or Reverse

STANDARD IMAGE PROCESSING FEATURES

Perfect View (Detail Enhancement) (PV), Edge Enhancement (EE), Pseudo Color (PS), Organic Materials (OM), Inorganic Materials (IM), Black & White (B/W) Inverse Colors (IN), High Penetration (HP), Variable Edge Enhancement (+E -E), Variable Density (+D -D), Variable Gamma (+G -G), Variable Color Separation (+C -C), Zoom (64x), Sniper Zoom, Recall Previous Images, Manual/Automatic Archive, Annotated Archive, Multi Energy Viewer (4 - 6 Color), Atomic Number Display (Z Value)

STANDARD FEATURES

Programmable Function Keys, Parcel Counter, Date and Time Display, Virtual Threat Image Projection (TIP), Organic / Inorganic Threat Alarm, Operator Training Program (OTP), UPS (For Computer Supply), Multi Languages, Self Diagnosis, Generator Timer, Automatic Stop Conveyor

OPTIONAL FEATURES

Barcode Reader System, External Camera Archiving, Remote Viewing Station, Recheck Station, Network Supervisory System (NSS), Remote Access Connection, Smart Card Login

OPTIONAL ACCESSORIES

External UPS (For system), Input / Output Rollers, Test Kit (STP/ASTM), Protective Cover, Search Table, Tray Return System (Motorized/Gravity), Inclined Conveyor, Ultrasonic Rat Repellent, Radiation Meter

HEALTH AND SAFETY

All X-Ray Center Ltd products meet all applicable international health and safety regulations. US FDA Federal Standard 21CFR 1020.40

Health and Safety at Work Act 1974-compliant 6 : Available

Film Safety : ISO 1600 / 33 DIN

CE Compliance : Certified

FCC & IEC Compatibility : Available

Maximum level of radiation the exterior panels come in contact with is 0.1 mR/hour

The XRC 50-30LCT is a mobile, compact and light-weight x-ray baggage scanner with a 100kV x-ray generator. The XRC 50-30LCT has rollers that fold up and handles that make it easy to roll the scanner from one location to another on its low friction wheels. The scanner comes equipped with various image processing functions, a hazard alarm, advanced computer technology, and best-in-class software. It is designed to make it easy for operators to identify potentially threatening objects such as cutting tools, explosives, and narcotics. These features help to minimize the error rate and ensure efficient and effective security screening. Its multi-diode structure and high-quality imaging produce a coloured image that reflects the density of the scanned objects, displaying organic, inorganic, and mixed materials in different shades. The XRC 50-30LCT is a mobile, compact, and lightweight scanner that is ideal for use in locations with limited working space. This scanner is equipped with the latest technology and can provide detailed scans of small handbags, packages, parcels, and cabin baggage. The x-ray baggage scanner has a built in touch-screen monitor that folds down when not in use. The scanner is designed with operators' standing operation ergonomics in mind and utilizes a built in touchscreen monitor that folds down when not in use. It is efficient and powerful, and can be used for inspection in various locations such as courts, police departments, offices, shopping malls, prisons, hotels and anywhere that space is at a premium or where the scanner must be used in multiple locations and needs to be mobile.

TECHNICAL DATA

X-RAY GENERATOR & IMAGE PERFORMANCE

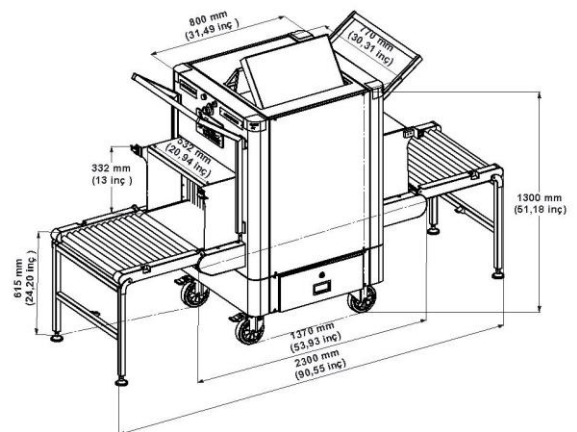
Steel Penetration ¹	: 14 mm guaranteed; 16 mm typical
Wire Resolution ¹	: 38 AWG guaranteed; 40 AWG typical
Anode Voltage	: 100kV, operating at 90kV
Tube Current	: 0,5 mA
Beam Direction	: Vertically downward
Article Separation	: Low Z, Medium Z, High Z to 0,5 Z Accuracy
Cooling	: Oil and forced air cooling

COMPUTER SPECIFICATIONS

Processor	: Intel® Core™ i5 (or superior)
Monitor	: 21,5" Flat (or superior)
Memory	: 4 GB RAM (or superior)
Video Card	: 2 GB (or superior)
Hard Drive	: 1 TB (or superior)
USB Port	: 6 port (or superior)
Operating System	: Linux

OPERATING ENVIRONMENT

Storage / Operating Temperature	: -20°C to 50°C / 0°C to 40°C (-4°F to 122°F / 32°F to 104°F)
Relative Humidity	: 10% to 90% non-condensing



The keyboard can be produced optionally as integrated into the device.

¹As tested on X-Ray Center Ltd. test piece. Conveyor speed is 0.20 m/sec.

Products certified as TSA, ECAC and so on are available as an option. Please inquire from your dealer.

Due to continuous product development, X-Ray Center reserves the right to change specifications without notice.

SMALL PARCEL & BAGGAGE

XRC 50-30P



PHYSICAL PROPERTIES

Tunnel Size (W x H)	: 530 mm x 330 mm
Dimensions (L x H x W)	: 20,86 in x 12,99 in
Approx. Weight Unpacked	: 1265 mm x 1150 mm x 760 mm
Conveyor Height	: 49,80 in x 45,27 in x 29,92 in
Conveyor Load Capacity	: ~355 kg (781 lbs.)
System Power	: 700 mm (27,55 in)
Conveyor Speed	: 165 kg (364 lbs.) Evenly Distributed
	: 110/220V AC ± 10% 50/60 Hz
	: 0,20 m/sec. Forward or Reverse

XRC 50-30



PHYSICAL PROPERTIES

Tunnel Size (W x H)	: 550 mm x 350 mm
Dimensions (L x H x W)	: 21,65 in x 13,78 in
Approx. Weight Unpacked	: 1700 mm x 1200 mm x 810 mm
Conveyor Height	: 66,93 in x 47,24 in x 31,89 in
Conveyor Load Capacity	: ~415 kg (915 lbs.)
System Power	: 730mm (28,74 in)
Conveyor Speed	: 165 kg (364 lbs.) Evenly Distributed
	: 110/220V AC ± 10% 50/60 Hz
	: 0,20 m/sec. Forward or Reverse

XRC 60-40P



PHYSICAL PROPERTIES

Tunnel Size (W x H)	: 610 mm x 420 mm
Dimensions (L x H x W)	: 24,02 in x 16,54 in
Approx. Weight Unpacked	: 1472 mm x 1270 mm x 870 mm
Conveyor Height	: 57,95 in x 50 in x 34,25 in
Conveyor Load Capacity	: ~455 kg (1003 lbs.)
System Power	: 730 mm (28,74 in)
Conveyor Speed	: 165 kg (364 lbs.) Evenly Distributed
	: 110/220V AC ± 10% 50/60 Hz
	: 0,20 m/sec. Forward or Reverse

XRC 60-40

PHYSICAL PROPERTIES

Tunnel Size (W x H)	: 610 mm x 440 mm
Dimensions (L x H x W)	: 24,02 in x 17,32 in
Approx. Weight Unpacked	: 2080 mm x 1370 mm x 870 mm
Conveyor Height	: 81,89 in x 53,94 in x 34,25 in
Conveyor Load Capacity	: ~540 kg (1190 lbs.)
System Power	: 810mm (31,89 in)
Conveyor Speed	: 165 kg (364 lbs.) Evenly Distributed
	: 110/220V AC ± 10% 50/60 Hz
	: 0,20 m/sec. Forward or Reverse



XRC 60-40DV

PHYSICAL PROPERTIES

Tunnel Size (W x H)	: 610 mm x 420 mm
Dimensions (L x H x W)	: 24,02 in x 16,54 in
Approx. Weight Unpacked	: 2220 mm x 1370 mm x 1270 mm
Conveyor Height	: 87,40 in x 53,94 in x 50 in
Conveyor Load Capacity	: ~725kg (1598 lbs.)
System Power	: 810 mm (31,89 in)
Conveyor Speed	: 165 kg (364 lbs.) Evenly Distributed
	: 110/220V AC ± 10% 50/60 Hz
	: 0,20 m/sec. (+/- 20%) Forward or Reverse



PHYSICAL PROPERTIES

Tunnel Size (W x H)	: 650 mm x 460 mm
Dimensions (L x H x W)	: 25,59 in x 18,11 in
Approx. Weight Unpacked	: 2050 mm x 1300 mm x 895 mm
Conveyor Height	: 80,71 in x 51,18 in x 35,24 in
Conveyor Load Capacity	: ~525 kg (1157 lbs.)
System Power	: 720mm (28,35 in)
Conveyor Speed	: 165 kg (364 lbs.) Evenly Distributed
	: 110/220V AC ± 10% 50/60 Hz
	: 0,20 m/sec. Forward or Reverse

XRC 65-45



XRC 65-85



PHYSICAL PROPERTIES

Tunnel Size (W x H)	: 665 mm x 865 mm
Dimensions (L x H x W)	: 3090 mm x 1305 mm x 1475 mm
Approx. Weight Unpacked	: ~760 kg (1676 lbs.)
Conveyor Height	: 290 mm (11,42 in)
Conveyor Load Capacity	: 200 kg (441 lbs.) Evenly Distributed
System Power	: 110/220V AC ± 10% 50/60 Hz
Conveyor Speed	: 0,20 m/sec. Forward or Reverse

XRC 75-55



PHYSICAL PROPERTIES

Tunnel Size (W x H)	: 755 mm x 555 mm
Dimensions (L x H x W)	: 2180 mm x 1480 mm x 1030 mm
Approx. Weight Unpacked	: ~635 kg (1400 lbs.)
Conveyor Height	: 810mm (31,89 in)
Conveyor Load Capacity	: 165 kg (364 lbs.) Evenly Distributed
System Power	: 110/220V AC ± 10% 50/60 Hz
Conveyor Speed	: 0,20 m/sec. Forward or Reverse

PHYSICAL PROPERTIES

Tunnel Size (W x H)	: 755 mm x 555 mm
Dimensions (L x H x W)	: 2430 mm x 1500 mm x 1500 mm
Approx. Weight Unpacked	: ~860kg (1896 lbs.)
Conveyor Height	: 810 mm (31,89 in)
Conveyor Load Capacity	: 165 kg (364 lbs.) Evenly Distributed
System Power	: 110/220V AC ± 10% 50/60 Hz
Conveyor Speed	: 0,20 m/sec. Forward or Reverse

XRC 75-55DV



XRC 50-30SE

The **XRC 50-30SE** is one of the smallest tunnel sizes of the XRC baggage and parcel product range. It detects inorganic objects and provides an excellent image in an economical single energy (SE-Single Energy) diode array platform. It is a preferred model for locations with limited operating space.

Small handbags, packages parcels and cabin baggage are suitable for scanning. Institutions ensure that packages are inspected in places where inspection is required, such as courts, police departments, offices, shopping malls, prisons and hotels.

X-RAY GENERATOR & IMAGE PERFORMANCE

Steel Penetration ¹	: 10 mm guaranteed; 12 mm typical
Wire Resolution ¹	: 38 AWG guaranteed; 40 AWG typical
Anode Voltage	: 100kV, operating at 90kV
Tube Current	: 0,5 mA
Beam Direction	: Vertically upward
Article Separation	: Low Z, Medium Z, High Z to 0,5 Z Accuracy
Cooling	: Oil and forced air cooling

COMPUTER SPECIFICATIONS

Processor	: Intel® Core™ i5 (or superior)
Monitor	: 21,5" Flat (or superior)
Memory	: 4 GB RAM (or superior)
Video Card	: 2 GB (or superior)
Hard Drive	: 1 TB (or superior)
USB Port	: 6 port (or superior)
Operating System	: Linux

OPTIONAL FEATURES

Barcode Reader System
External Camera Archiving
Remote Viewing Station
Recheck Station
Network Supervisory System (NSS)
Remote Access Connection
Smart Card Login

STANDARD FEATURES

Programmable Function Keys
Parcel Counter
Date and Time Display
Virtual Threat Image Projection (TIP)
Inorganic Threat Alarm
Operator Training Program (OTP)
UPS (For Computer Supply)
Multi Languages
Self Diagnosis
Generator Timer
Automatic Stop Conveyor

HEALTH AND SAFETY

All X-Ray Center Ltd products meet all applicable international health and safety regulations.

US FDA Federal Standard 21CFR 1020.40

Health and Safety at Work Act 1974-compliant 6 : Available

Film Safety : ISO 1600 / 33 DIN

CE Compliance : Certified

FCC & IEC Compatibility : Available

IP 20 Safety : Certified

Maximum level of radiation the exterior panels come in contact with is 0.1 mR/hour

OPERATING ENVIRONMENT

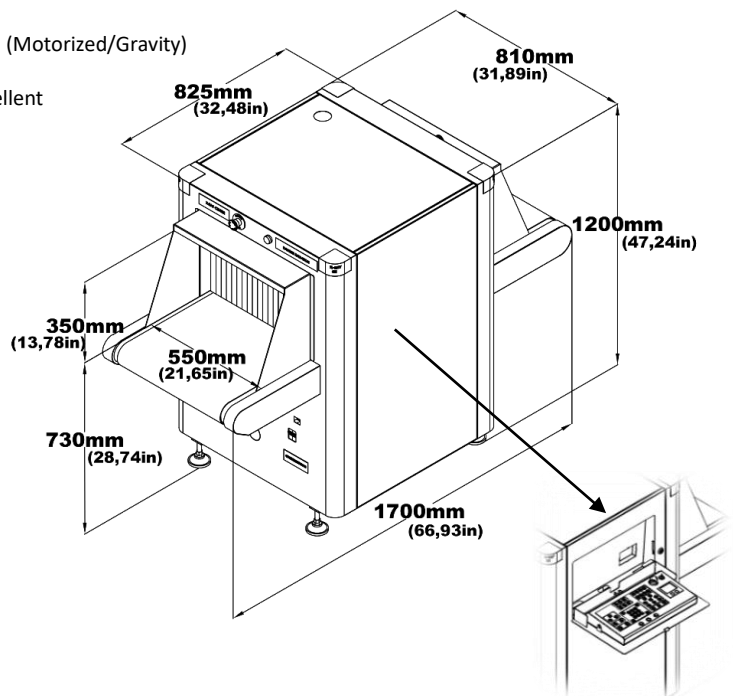
Storage / Operating Temperature	: -20°C to 50°C / 0°C to 40°C (-4°F to 122°F / 32°F to 104°F)
Relative Humidity	: 10% to 90% non-condensing

STANDARD IMAGE PROCESSING FEATURES

Perfect View (Detail Enhancement) (PV)
Edge Enhancement (EE)
Pseudo Color (PS)
Inorganic Materials (IM)
Black & White (B/W)
Inverse Colors (IN)
High Penetration (HP)
Variable Edge Enhancement (+E -E)
Variable Density (+D -D)
Variable Gamma (+G -G)
Variable Color Separation (+C -C)
Zoom (64x)
Sniper Zoom
Recall Previous Images
Manual/Automatic Archive
Annotated Archive
Multi Energy Viewer (4 - 6 Color)
Atomic Number Display (Z Value)

OPTIONAL ACCESSORIES

External UPS (For system)
Operator Console (Open-Closed/Adjustable/I-stand)
21,5"- 27" Flat Monitor
Input / Output Rollers
Test Kit (STP/ASTM)
Protective Cover
Search Table
Tray Return System (Motorized/Gravity)
Inclined Conveyor
Ultrasonic Rat Repellent
Radiation Meter



The keyboard can be produced optionally as integrated into the device.

¹As tested on X-Ray Center Ltd. test piece. Conveyor speed is 0.20 m/sec.

Due to continuous product development, X-Ray Center reserves the right to change specifications without notice.

XRC 50-30 (100kV)

With the help of 100kV generator power, this model x-ray baggage scanner facilitates the operators use thanks to the various image processing functions, hazard alarm, advanced computer technology and the best in class software. XRC 50-30 enables easy identification of potentially threatening objects such as cutting tools, explosives narcotics and minimizes the error rate. Thanks to its multi-diode structure and quality in imaging of scanned objects, image is colored based on density and shows organic, inorganic and mixed materials in different tones. **XRC 50-30** is a preferred model for locations with limited operating space. It is designed with the latest technology to scan small handbags, packages, parcels and cabin baggage in detail. It is an efficient and a powerful x-ray scanning device that allows inspection in courts, police departments, offices, shopping malls, prisons and hotels.

X-RAY GENERATOR & IMAGE PERFORMANCE

Steel Penetration ¹	: 10 mm guaranteed; 12 mm typical
Wire Resolution ¹	: 38 AWG guaranteed; 40 AWG typical
Anode Voltage	: 100kV, operating at 90kV
Tube Current	: 0,5 mA
Beam Direction	: Vertically upward
Article Separation	: Low Z, Medium Z, High Z to 0,5 Z Accuracy
Cooling	: Oil and forced air cooling

COMPUTER SPECIFICATIONS

Processor	: Intel® Core™ i5 (or superior)
Monitor	: 21,5" Flat (or superior)
Memory	: 4 GB RAM (or superior)
Video Card	: 2 GB (or superior)
Hard Drive	: 1 TB (or superior)
USB Port	: 6 port (or superior)
Operating System	: Linux

OPTIONAL FEATURES

Barcode Reader System
External Camera Archiving
Remote Viewing Station
Recheck Station
Network Supervisory System (NSS)
Remote Access Connection
Smart Card Login

STANDARD FEATURES

Programmable Function Keys
Parcel Counter
Date and Time Display
Virtual Threat Image Projection (TIP)
Inorganic Threat Alarm
Operator Training Program (OTP)
UPS (For Computer Supply)
Multi Languages
Self Diagnosis
Generator Timer
Automatic Stop Conveyor

HEALTH AND SAFETY

All X-Ray Center Ltd products meet all applicable international health and safety regulations.

US FDA Federal Standard 21CFR 1020.40
Health and Safety at Work Act 1974-compliant 6 : Available
Film Safety : ISO 1600 / 33 DIN
CE Compliance : Certified
FCC & IEC Compatibility : Available
IP 20 Safety : Certified
Maximum level of radiation the exterior panels come in contact with is 0.1 mR/hour

OPERATING ENVIRONMENT

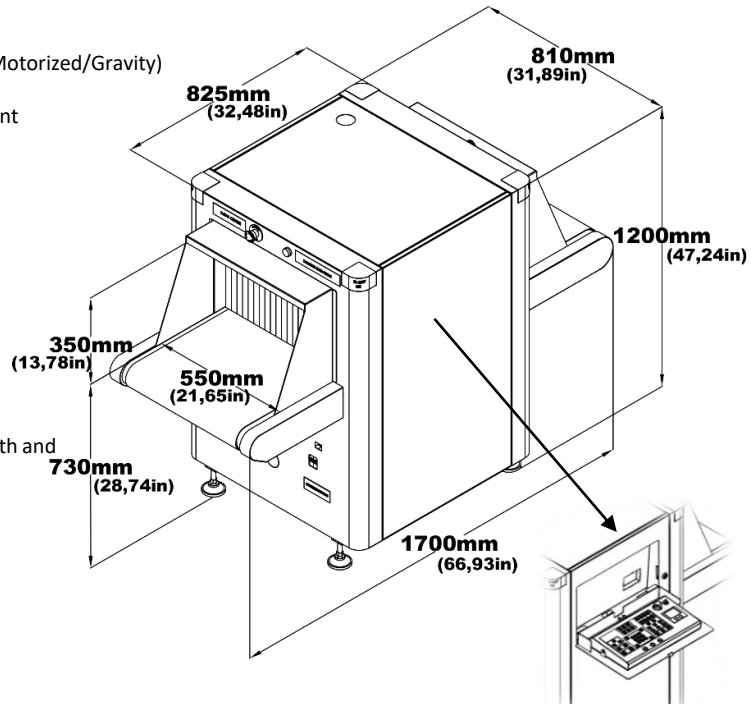
Storage / Operating Temperature : -20°C to 50°C / 0°C to 40°C
(-4°F to 122°F / 32°F to 104°F)
Relative Humidity : 10% to 90% non-condensing

STANDARD IMAGE PROCESSING FEATURES

Perfect View (Detail Enhancement) (PV)
Edge Enhancement (EE)
Pseudo Color (PS)
Organic Materials (OM)
Inorganic Materials (IM)
Black & White (B/W)
Inverse Colors (IN)
High Penetration (HP)
Variable Edge Enhancement (+E -E)
Variable Density (+D -D)
Variable Gamma (+G -G)
Variable Color Separation (+C -C)
Zoom (64x)
Sniper Zoom
Recall Previous Images
Manual/Automatic Archive
Annotated Archive
Multi Energy Viewer (4 - 6 Color)
Atomic Number Display (Z Value)

OPTIONAL ACCESSORIES

External UPS (For system)
Operator Console (Open-Closed/Adjustable/I-stand)
21,5" - 27" Flat Monitor
Input / Output Rollers
Test Kit (STP/ASTM)
Protective Cover
Search Table
Tray Return System (Motorized/Gravity)
Inclined Conveyor
Ultrasonic Rat Repellent
Radiation Meter



The keyboard can be produced optionally as integrated into the device.

¹As tested on X-Ray Center Ltd. test piece. Conveyor speed is 0.20 m/sec.

Due to continuous product development, X-Ray Center reserves the right to change specifications without notice.

XRC 50-30P (170kV)

XRC 50-30P x-ray device facilitates the operators use thanks to the various image processing functions, hazard alarm, advanced computer technology and the best in class software. It provides exceptional ease in detecting threats such as cutting tools, explosives narcotics and minimizes the error rate and offers unique image quality by showing the scanned organic, inorganic and mixed items in different colors thanks to its multi-diode structure and quality in imaging of scanned objects. It is a preferred model for locations with limited operating space and it is an efficient and a powerful device for scanning small handbags, packages parcels and cabin baggage in detail. It provides the ideal solution for locations where security screening is required like courts, police departments, offices, shopping malls, prisons and hotels.

X-RAY GENERATOR & IMAGE PERFORMANCE

Steel Penetration ¹	: 37 mm guaranteed; 39 mm typical
Wire Resolution ¹	: 38 AWG guaranteed; 40 AWG typical
Anode Voltage	: 170kV, operating at 147kV
Tube Current	: 0,7 mA
Beam Direction	: Vertically upward
Article Separation	: Low Z, Medium Z, High Z to 0,5 Z Accuracy
Cooling	: Oil and forced air cooling

COMPUTER SPECIFICATIONS

Processor	: Intel® Core™ i5 (or superior)
Monitor	: 21,5" Flat (or superior)
Memory	: 4 GB RAM (or superior)
Video Card	: 2 GB (or superior)
Hard Drive	: 1 TB (or superior)
USB Port	: 6 port (or superior)
Operating System	: Linux

OPTIONAL FEATURES

Barcode Reader System
External Camera Archiving
Remote Viewing Station
Recheck Station
Network Supervisory System (NSS)
Remote Access Connection
Smart Card Login

STANDARD FEATURES

Programmable Function Keys
Parcel Counter
Date and Time Display
Virtual Threat Image Projection (TIP)
Organic/Inorganic Threat Alarm
Operator Training Program (OTP)
UPS (For Computer Supply)
Multi Languages
Self Diagnosis
Generator Timer
Automatic Stop Conveyor

HEALTH AND SAFETY

All X-Ray Center Ltd products meet all applicable international health and safety regulations.

US FDA Federal Standard 21CFR 1020.40	
Health and Safety at Work Act 1974-compliant 6 : Available	
Film Safety	: ISO 1600 / 33 DIN
CE Compliance	: Certified
FCC & IEC Compatibility	: Available
IP 20 Safety	: Certified
Maximum level of radiation the exterior panels come in contact with is 0.1 mR/hour	

OPERATING ENVIRONMENT

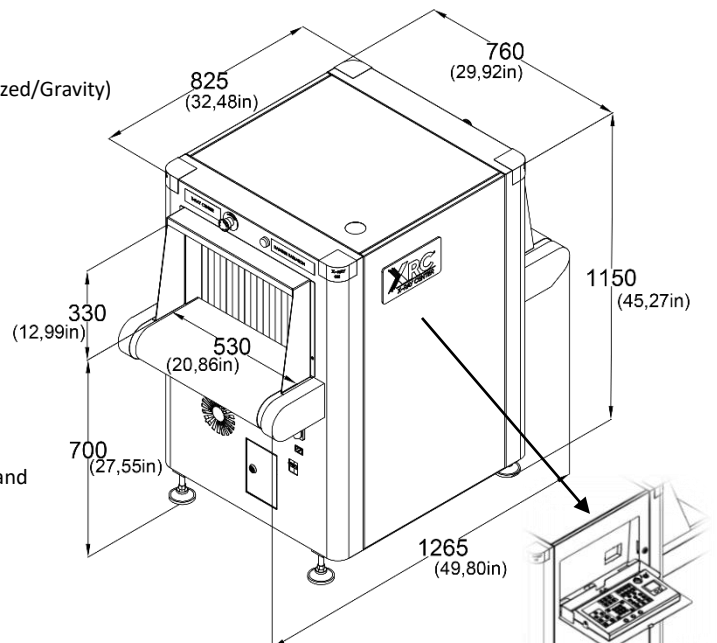
Storage / Operating Temperature	: -20°C to 50°C / 0°C to 40°C (-4°F to 122°F / 32°F to 104°F)
Relative Humidity	: 10% to 90% non-condensing

STANDARD IMAGE PROCESSING FEATURES

Perfect View (Detail Enhancement) (PV)
Edge Enhancement (EE)
Pseudo Color (PS)
Organic Materials (OM)
Inorganic Materials (IM)
Black & White (B/W)
Inverse Colors (IN)
High Penetration (HP)
Variable Edge Enhancement (+E -E)
Variable Density (+D -D)
Variable Gamma (+G -G)
Variable Color Separation (+C -C)
Zoom (64x)
Sniper Zoom
Recall Previous Images
Manual/Automatic Archive
Annotated Archive
Multi Energy Viewer (4 - 6 Color)
Atomic Number Display (Z Value)

OPTIONAL ACCESSORIES

External UPS (For system)
Operator Console (Open-Closed/Adjustable/I-stand)
21,5" - 27" Flat Monitor
Input / Output Rollers
Test Kit (STP/ASTM)
Protective Cover
Search Table
Tray Return System (Motorized/Gravity)
Inclined Conveyor
Ultrasonic Rat Repellent
Radiation Meter



The keyboard can be produced optionally as integrated into the device.

¹As tested on X-Ray Center Ltd. test piece. Conveyor speed is 0.20 m/sec.

Due to continuous product development, X-Ray Center reserves the right to change specifications without notice.

XRC 50-30 (170kV)

XRC 50-30 x-ray device facilitates the operators use thanks to the various image processing functions, hazard alarm, advanced computer technology and the best in class software. It provides exceptional ease in detecting threats such as cutting tools, explosives narcotics and minimizes the error rate and offers unique image quality by showing the scanned organic, inorganic and mixed items in different colors thanks to its multi-diode structure and quality in imaging of scanned objects. It is a preferred model for locations with limited operating space and it is an efficient and a powerful device for scanning small handbags, packages parcels and cabin baggage in detail. It provides the ideal solution for locations where security screening is required like courts, police departments, offices, shopping malls, prisons and hotels.

X-RAY GENERATOR & IMAGE PERFORMANCE

Steel Penetration ¹	: 37 mm guaranteed; 39 mm typical
Wire Resolution ¹	: 38 AWG guaranteed; 40 AWG typical
Anode Voltage	: 170kV, operating at 147kV
Tube Current	: 0,7 mA
Beam Direction	: Vertically upward
Article Separation	: Low Z, Medium Z, High Z to 0,5 Z Accuracy
Cooling	: Oil and forced air cooling

COMPUTER SPECIFICATIONS

Processor	: Intel® Core™ i5 (or superior)
Monitor	: 21,5" Flat (or superior)
Memory	: 4 GB RAM (or superior)
Video Card	: 2 GB (or superior)
Hard Drive	: 1 TB (or superior)
USB Port	: 6 port (or superior)
Operating System	: Linux

OPTIONAL FEATURES

Barcode Reader System
External Camera Archiving
Remote Viewing Station
Recheck Station
Network Supervisory System (NSS)
Remote Access Connection
Smart Card Login

STANDARD FEATURES

Programmable Function Keys
Parcel Counter
Date and Time Display
Virtual Threat Image Projection (TIP)
Organic/Inorganic Threat Alarm
Operator Training Program (OTP)
UPS (For Computer Supply)
Multi Languages
Self Diagnosis
Generator Timer
Automatic Stop Conveyor

HEALTH AND SAFETY

All X-Ray Center Ltd products meet all applicable international health and safety regulations.

US FDA Federal Standard 21CFR 1020.40

Health and Safety at Work Act 1974-compliant 6 : Available

Film Safety : ISO 1600 / 33 DIN

CE Compliance : Certified

FCC & IEC Compatibility : Available

IP 20 Safety : Certified

Maximum level of radiation the exterior panels come in contact with is 0.1 mR/hour

OPERATING ENVIRONMENT

Storage / Operating Temperature : -20°C to 50°C / 0°C to 40°C
(-4°F to 122°F / 32°F to 104°F)

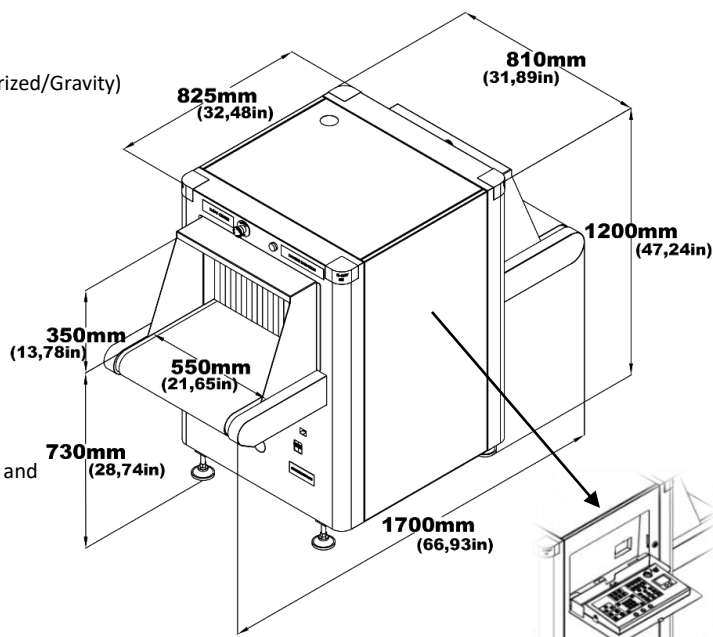
Relative Humidity : 10% to 90% non-condensing

STANDARD IMAGE PROCESSING FEATURES

Perfect View (Detail Enhancement) (PV)
Edge Enhancement (EE)
Pseudo Color (PS)
Organic Materials (OM)
Inorganic Materials (IM)
Black & White (B/W)
Inverse Colors (IN)
High Penetration (HP)
Variable Edge Enhancement (+E -E)
Variable Density (+D -D)
Variable Gamma (+G -G)
Variable Color Separation (+C -C)
Zoom (64x)
Sniper Zoom
Recall Previous Images
Manual/Automatic Archive
Annotated Archive
Multi Energy Viewer (4 - 6 Color)
Atomic Number Display (Z Value)

OPTIONAL ACCESSORIES

External UPS (For system)
Operator Console (Open-Closed/Adjustable/I-stand)
21,5" - 27" Flat Monitor
Input / Output Rollers
Test Kit (STP/ASTM)
Protective Cover
Search Table
Tray Return System (Motorized/Gravity)
Inclined Conveyor
Ultrasonic Rat Repellent
Radiation Meter



The keyboard can be produced optionally as integrated into the device.

¹As tested on X-Ray Center Ltd. test piece. Conveyor speed is 0.20 m/sec.

Due to continuous product development, X-Ray Center reserves the right to change specifications without notice.

XRC 60-40P

XRC 60-40P model x-ray baggage scanner's various image processing functions, hazard alarm, advanced computer technology and the best in class software features facilitates the operators usage. It provides exceptional ease in detecting threats such as cutting tools, explosives narcotics and minimizes the error rate. Thanks to its multi-diode structure and quality in imaging of scanned objects, image is colored based on density and shows organic, inorganic and mixed materials in different tones. This x-ray machine is a preferred model for locations with limited operating space and it is an efficient and a powerful device for scanning small handbags, packages parcels and cabin baggage in detail. Courts, police departments, offices, shopping malls, prisons and hotels are its main areas of application.

X-RAY GENERATOR & IMAGE PERFORMANCE

Steel Penetration ¹	: 37 mm guaranteed; 39 mm typical
Wire Resolution ¹	: 38 AWG guaranteed; 40 AWG typical
Anode Voltage	: 170kV, operating at 147kV
Tube Current	: 0,7 mA
Beam Direction	: Vertically upward
Article Separation	: Low Z, Medium Z, High Z to 0,5 Z Accuracy
Cooling	: Oil and forced air cooling

COMPUTER SPECIFICATIONS

Processor	: Intel® Core™ i5 (or superior)
Monitor	: 21,5" Flat (or superior)
Memory	: 4 GB RAM (or superior)
Video Card	: 2 GB (or superior)
Hard Drive	: 1 TB (or superior)
USB Port	: 6 port (or superior)
Operating System	: Linux

OPTIONAL FEATURES

Barcode Reader System
External Camera Archiving
Remote Viewing Station
Recheck Station
Network Supervisory System (NSS)
Remote Access Connection
Smart Card Login

STANDARD FEATURES

Programmable Function Keys
Parcel Counter
Date and Time Display
Virtual Threat Image Projection (TIP)
Organic/Inorganic Threat Alarm
Operator Training Program (OTP)
UPS (For Computer Supply)
Multi Languages
Self Diagnosis
Generator Timer
Automatic Stop Conveyor

HEALTH AND SAFETY

All X-Ray Center Ltd products meet all applicable international health and safety regulations.

US FDA Federal Standard 21CFR 1020.40

Health and Safety at Work Act 1974-compliant 6 : Available

Film Safety : ISO 1600 / 33 DIN

CE Compliance : Certified

FCC & IEC Compatibility : Available

IP 20 Safety : Certified

Maximum level of radiation the exterior panels come in contact with is 0.1 mR/hour

OPERATING ENVIRONMENT

Storage / Operating Temperature : -20°C to 50°C / 0°C to 40°C
(-4°F to 122°F / 32°F to 104°F)

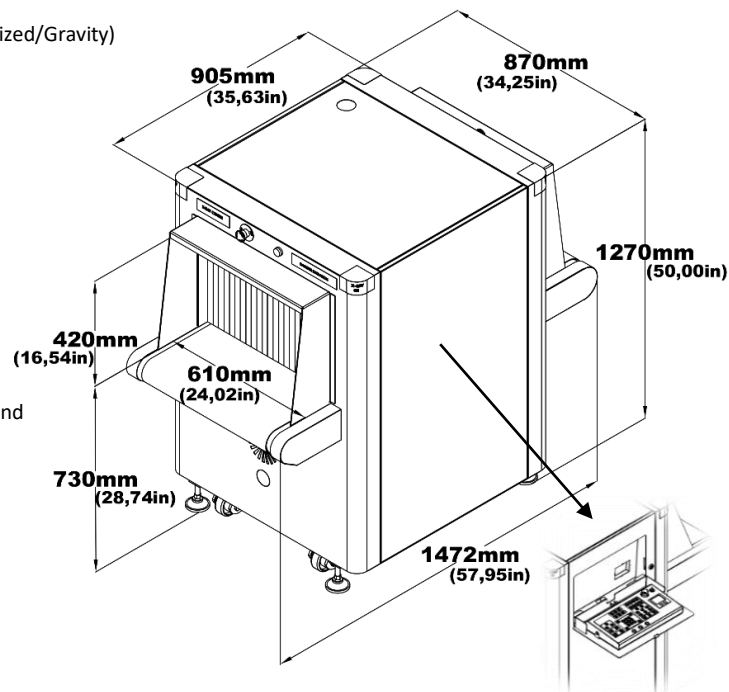
Relative Humidity : 10% to 90% non-condensing

STANDARD IMAGE PROCESSING FEATURES

Perfect View (Detail Enhancement) (PV)
Edge Enhancement (EE)
Pseudo Color (PS)
Organic Materials (OM)
Inorganic Materials (IM)
Black & White (B/W)
Inverse Colors (IN)
High Penetration (HP)
Variable Edge Enhancement (+E -E)
Variable Density (+D -D)
Variable Gamma (+G -G)
Variable Color Separation (+C -C)
Zoom (64x)
Sniper Zoom
Recall Previous Images
Manual/Automatic Archive
Annotated Archive
Multi Energy Viewer (4 - 6 Color)
Atomic Number Display (Z Value)

OPTIONAL ACCESSORIES

External UPS (For system)
Operator Console (Open-Closed/Adjustable/I-stand)
21,5"- 27" Flat Monitor
Input / Output Rollers
Test Kit (STP/ASTM)
Protective Cover
Search Table
Tray Return System (Motorized/Gravity)
Inclined Conveyor
Ultrasonic Rat Repellent
Radiation Meter



¹As tested on X-Ray Center Ltd. test piece. Conveyor speed is 0.20 m/sec.

Due to continuous product development, X-Ray Center reserves the right to change specifications without notice.

XRC 60-40

XRC 60-40 is one of the XRC brand's preferred x-ray devices in terms of its dimensions and functionalities. It facilitates the operators use thanks to the various image processing functions, hazard alarm, advanced computer technology and the best in class software and it is a preferred model for locations with limited operating space. It provides exceptional ease in detecting threats such as cutting tools, explosives narcotics and minimizes the error rate. It provides unique image quality by showing the scanned organic, inorganic and mixed items in different colors thanks to its multi-diode structure and quality in imaging of scanned objects. X-ray security scanner is designed with the latest technology system to scan small handbags, packages parcels and cabin baggage in detail. Institutions ensure that packages are inspected in places where inspection is required, such as airports, customs border gates, police departments, ministries, prisons, institutions, courts.

X-RAY GENERATOR & IMAGE PERFORMANCE

Steel Penetration ¹	: 37 mm guaranteed; 39 mm typical
Wire Resolution ¹	: 38 AWG guaranteed; 40 AWG typical
Anode Voltage	: 170kV, operating at 160kV
Tube Current	: 1,0 mA
Beam Direction	: Vertically upward
Article Separation	: Low Z, Medium Z, High Z to 0,5 Z Accuracy
Cooling	: Oil and forced air cooling

COMPUTER SPECIFICATIONS

Processor	: Intel® Core™ i5 (or superior)
Monitor	: 21,5" Flat (or superior)
Memory	: 4 GB RAM (or superior)
Video Card	: 2 GB (or superior)
Hard Drive	: 1 TB (or superior)
USB Port	: 6 port (or superior)
Operating System	: Linux

OPTIONAL FEATURES

Barcode Reader System
External Camera Archiving
Remote Viewing Station
Recheck Station
Network Supervisory System (NSS)
Remote Access Connection
Smart Card Login

STANDARD FEATURES

Programmable Function Keys
Parcel Counter
Date and Time Display
Virtual Threat Image Projection (TIP)
Organic/Inorganic Threat Alarm
Operator Training Program (OTP)
UPS (For Computer Supply)
Multi Languages
Self Diagnosis
Generator Timer
Automatic Stop Conveyor

HEALTH AND SAFETY

All X-Ray Center Ltd products meet all applicable international health and safety regulations.

US FDA Federal Standard 21CFR 1020.40

Health and Safety at Work Act 1974-compliant 6 : Available

Film Safety : ISO 1600 / 33 DIN

CE Compliance : Certified

FCC & IEC Compatibility : Available

IP 20 Safety : Certified

Maximum level of radiation the exterior panels come in contact with is 0.1 mR/hour

OPERATING ENVIRONMENT

Storage / Operating Temperature : -20°C to 50°C / 0°C to 40°C
(-4°F to 122°F / 32°F to 104°F)

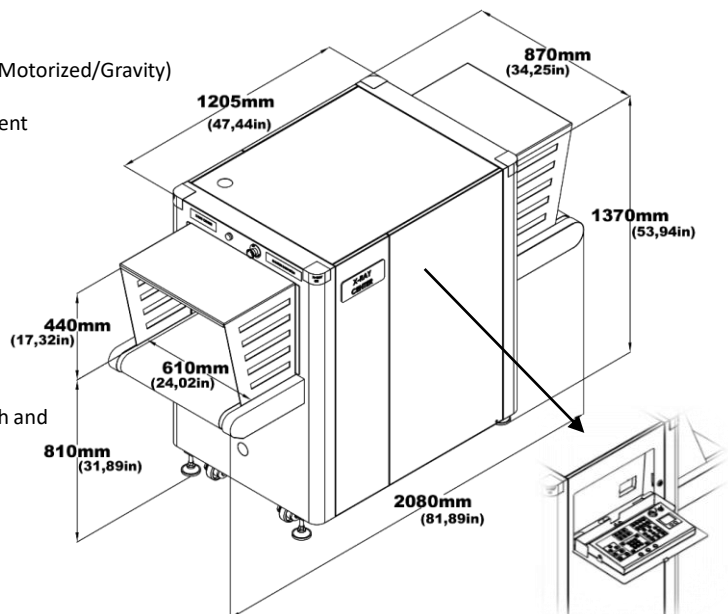
Relative Humidity : 10% to 90% non-condensing

STANDARD IMAGE PROCESSING FEATURES

Perfect View (Detail Enhancement) (PV)
Edge Enhancement (EE)
Pseudo Color (PS)
Organic Materials (OM)
Inorganic Materials (IM)
Black & White (B/W)
Inverse Colors (IN)
High Penetration (HP)
Variable Edge Enhancement (+E -E)
Variable Density (+D -D)
Variable Gamma (+G -G)
Variable Color Separation (+C -C)
Zoom (64x)
Sniper Zoom
Recall Previous Images
Manual/Automatic Archive
Annotated Archive
Multi Energy Viewer (4 - 6 Color)
Atomic Number Display (Z Value)

OPTIONAL ACCESSORIES

External UPS (For system)
Operator Console (Open-Closed/Adjustable/I-stand)
21,5" - 27" Flat Monitor
Input / Output Rollers
Test Kit (STP/ASTM)
Protective Cover
Search Table
Tray Return System (Motorized/Gravity)
Inclined Conveyor
Ultrasonic Rat Repellent
Radiation Meter



The keyboard can be produced optionally as integrated into the device.

¹As tested on X-Ray Center Ltd. test piece. Conveyor speed is 0.20 m/sec.

Due to continuous product development, X-Ray Center reserves the right to change specifications without notice.

XRC 60-40DV

Quick and robust inspection is easily achieved with the XRC 60-40DV thanks to its **Liquid Explosive Detection Systems (LEDS) Standard 2 and Standard 3 Type C** issued by **European Civil Aviation Conference (ECAC)** and **American Transportation Safety Administration (TSA) ACSTL** certification. It facilitates the operators use thanks to the various image processing functions, hazard alarm, advanced computer technology and the best in class software and enables easy identification of potentially threatening objects such as cutting tools, explosives narcotics and minimizes the error rate.

It is designed with **dual view (DV)** technology. Thanks to its 2 x-ray generator sources, it provides high resolution and detailed imaging in horizontal and vertical angles. The images can be accessed with a single scan without the need to re-place the packages in a different orientation. Thus, hidden objects in the luggage are detected more easily and quickly. With the help of its multi-diode structure and quality in imaging of scanned objects, image is colored based on density and shows organic, inorganic and mixed materials in different tones. Small handbags, packages parcels and cabin baggage are suitable for scanning and offers the ideal solution for locations where security screening is required like airports checkpoints, police departments, ministries, prisons, institutions, courts, airlines, international customs logistics.

X-RAY GENERATOR & IMAGE PERFORMANCE

Steel Penetration ¹	: 37 mm guaranteed; 39 mm typical
Wire Resolution ¹	: 38 AWG guaranteed; 40 AWG typical
Anode Voltage	: 170kV, operating at 160kV
Tube Current	: 1,0 mA
Beam Direction	1st Generator : Vertically upward 2nd Generator : Horizontally sideward
Article Separation	: Low Z, Medium Z, High Z to 0,5 Z Accuracy
Cooling	: Oil and forced air cooling

COMPUTER SPECIFICATIONS

Processor	: Intel® Core™ i5 (or superior)
Monitor	: 21,5" Flat (or superior)
Memory	: 4 GB RAM (or superior)
Video Card	: 2 GB (or superior)
Hard Drive	: 1 TB (or superior)
USB Port	: 6 port (or superior)
Operating System	: Linux

OPTIONAL FEATURES

- Barcode Reader System
- External Camera Archiving
- Remote Viewing Station
- Recheck Station
- Network Supervisory System (NSS)
- Remote Access Connection
- Smart Card Login

OPTIONAL ACCESSORIES

- External UPS (For system)
- Operator Console (Open-Closed/Adjustable/I-stand)
- 21,5"- 27" Flat Monitor
- Input / Output Rollers
- Test Kit (STP/ASTM)
- Protective Cover
- Search Table
- Tray Return System (Motorized/Gravity)
- Inclined Conveyor
- Ultrasonic Rat Repellent
- Radiation Meter

HEALTH AND SAFETY

All X-Ray Center Ltd products meet all applicable international health and safety regulations.

US FDA Federal Standard 21CFR 1020.40

Health and Safety at Work Act 1974-compliant 6 : Available

Film Safety : ISO 1600 / 33 DIN

CE Compliance : Certified

FCC & IEC Compatibility : Available

IP 20 Safety : Certified

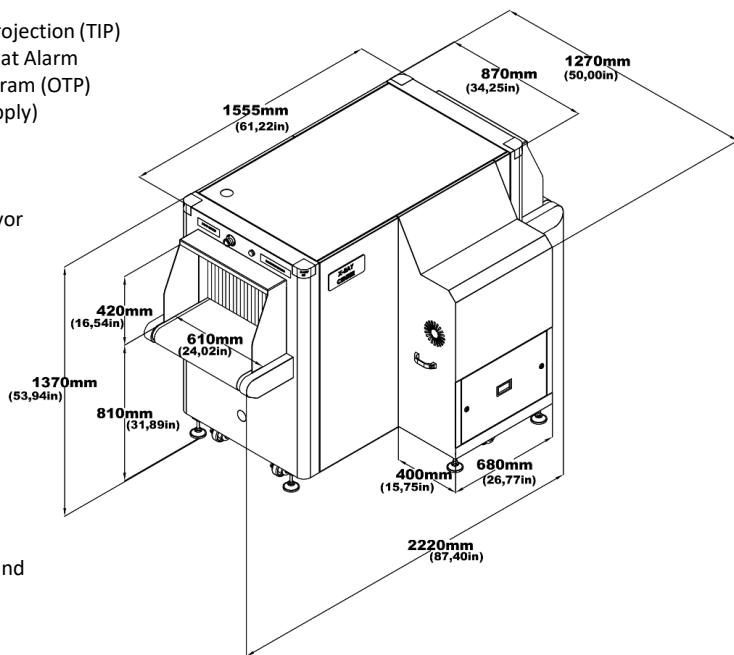
Maximum level of radiation of the exterior panels come in contact with is 0.1 mR/hour

STANDARD IMAGE PROCESSING FEATURES

- Perfect View (Detail Enhancement) (PV)
- Edge Enhancement (EE)
- Pseudo Color (PS)
- Organic Materials (OM)
- Inorganic Materials (IM)
- Black & White (B/W)
- Inverse Colors (IN)
- High Penetration (HP)
- Variable Edge Enhancement (+E -E)
- Variable Density (+D -D)
- Variable Gamma (+G -G)
- Variable Color Separation (+C -C)
- Zoom (64x)
- Sniper Zoom
- Recall Previous Images
- Manual/Automatic Archive
- Annotated Archive
- Multi Energy Viewer (4 - 6 Color)
- Atomic Number Display (Z Value)

STANDARD FEATURES

- Programmable Function Keys
- Parcel Counter
- Date and Time Display
- Virtual Threat Image Projection (TIP)
- Organic/Inorganic Threat Alarm
- Operator Training Program (OTP)
- UPS (For Computer Supply)
- Multi Languages
- Self Diagnosis
- Generator Timer
- Automatic Stop Conveyor



OPERATING ENVIRONMENT

Storage / Operating Temperature : -20°C to 50°C / 0°C to 40°C
(-4°F to 122°F / 32°F to 104°F)

Relative Humidity : 10% to 90% non-condensing

¹As tested on X-Ray Center Ltd. test piece. Conveyor speed is 0.20 m/sec.
Due to continuous product development, X-Ray Center reserves the right to change specifications without notice.

XRC 65-45

The x-ray scanner designed with the latest technology system scans small handbags, packages parcels and cabin baggage in detail. **XRC 65-45** facilitates the operators use thanks to the various image processing functions, hazard alarm, advanced computer technology and the best in class software. It provides exceptional ease in detecting threats such as cutting tools, explosives narcotics and minimizes the error rate.

Thanks to its multi-diode structure and quality in imaging of scanned objects image is colored based on density and shows organic, inorganic and mixed materials in different tones and it is a preferred model for locations with limited operating space. Institutions ensure that packages are inspected in places where inspection is required, such as airports, customs border gates, police departments, offices, ministries, prisons, institutions, courts.

X-RAY GENERATOR & IMAGE PERFORMANCE

Steel Penetration ¹	: 37 mm guaranteed; 39 mm typical
Wire Resolution ¹	: 38 AWG guaranteed; 40 AWG typical
Anode Voltage	: 170kV, operating at 147kV
Tube Current	: 0,7 mA
Beam Direction	: Vertically upward
Article Separation	: Low Z, Medium Z, High Z to 0,5 Z Accuracy
Cooling	: Oil and forced air cooling

COMPUTER SPECIFICATIONS

Processor	: Intel® Core™ i5 (or superior)
Monitor	: 21,5" Flat (or superior)
Memory	: 4 GB RAM (or superior)
Video Card	: 2 GB (or superior)
Hard Drive	: 1 TB (or superior)
USB Port	: 6 port (or superior)
Operating System	: Linux

OPTIONAL FEATURES

Barcode Reader System
External Camera Archiving
Remote Viewing Station
Recheck Station
Network Supervisory System (NSS)
Remote Access Connection
Smart Card Login

OPTIONAL ACCESSORIES

External UPS (For system)
Operator Console (Open-Closed/Adjustable/I-stand)
21,5" - 27" Flat Monitor
Input / Output Rollers
Test Kit (STP/ASTM)
Protective Cover
Search Table
Tray Return System (Motorized/Gravity)
Inclined Conveyor
Ultrasonic Rat Repellent
Radiation Meter

HEALTH AND SAFETY

All X-Ray Center Ltd products meet all applicable international health and safety regulations.

US FDA Federal Standard 21CFR 1020.40

Health and Safety at Work Act 1974-compliant 6 : Available

Film Safety : ISO 1600 / 33 DIN

CE Compliance : Certified

FCC & IEC Compatibility : Available

IP 20 Safety : Certified

Maximum level of radiation the exterior panels come in contact with is 0.1 mR/hour

OPERATING ENVIRONMENT

Storage / Operating Temperature : -20°C to 50°C / 0°C to 40°C
(-4°F to 122°F / 32°F to 104°F)

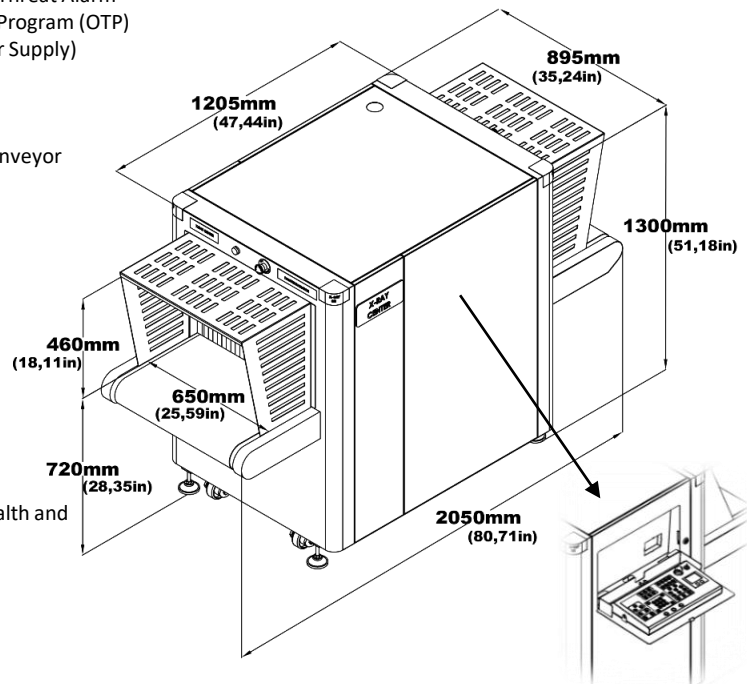
Relative Humidity : 10% to 90% non-condensing

STANDARD IMAGE PROCESSING FEATURES

Perfect View (Detail Enhancement) (PV)
Edge Enhancement (EE)
Pseudo Color (PS)
Organic Materials (OM)
Inorganic Materials (IM)
Black & White (B/W)
Inverse Colors (IN)
High Penetration (HP)
Variable Edge Enhancement (+E -E)
Variable Density (+D -D)
Variable Gamma (+G -G)
Variable Color Separation (+C -C)
Zoom (64x)
Sniper Zoom
Recall Previous Images
Manual/Automatic Archive
Annotated Archive
Multi Energy Viewer (4 - 6 Color)
Atomic Number Display (Z Value)

STANDARD FEATURES

Programmable Function Keys
Parcel Counter
Date and Time Display
Virtual Threat Image Projection (TIP)
Organic/Inorganic Threat Alarm
Operator Training Program (OTP)
UPS (For Computer Supply)
Multi Languages
Self Diagnosis
Generator Timer
Automatic Stop Conveyor



The keyboard can be produced optionally as integrated into the device.

¹As tested on X-Ray Center Ltd. test piece. Conveyor speed is 0.20 m/sec.

Due to continuous product development, X-Ray Center reserves the right to change specifications without notice.

XRC 65-85

On account of **low conveyor unit**, heavy loads can be easily and conveniently placed to this x-ray machine. **XRC 65-85** facilitates the operators use thanks to the various image processing functions, hazard alarm, advanced computer technology and the best in class software. It provides exceptional ease in detecting threats such as cutting tools, explosives narcotics and minimizes the error rate. It provides unique image quality by showing the scanned organic, inorganic and mixed objects in different colors thanks to its multi-diode structure and quality in imaging of scanned objects. It is designed with the latest technology system to scan medium and large bags and packages. It offers the ideal solution for locations where security screening is required like at high traffic checkpoints as city transportation (metro, ferry, train stations), customs border crossings, prisons, and courier depots, such as international logistics companies, goods acceptance points and etc.

X-RAY GENERATOR & IMAGE PERFORMANCE

Steel Penetration ¹	: 37 mm guaranteed; 39 mm typical
Wire Resolution ¹	: 38 AWG guaranteed; 40 AWG typical
Anode Voltage	: 170kV, operating at 160kV
Tube Current	: 1,0 mA
Beam Direction	: Horizontally sideward
Article Separation	: Low Z, Medium Z, High Z to 0,5 Z Accuracy
Cooling	: Oil and forced air cooling

COMPUTER SPECIFICATIONS

Processor	: Intel® Core™ i5 (or superior)
Monitor	: 21,5" Flat (or superior)
Memory	: 4 GB RAM (or superior)
Video Card	: 2 GB (or superior)
Hard Drive	: 1 TB (or superior)
USB Port	: 6 port (or superior)
Operating System	: Linux

OPTIONAL FEATURES

Barcode Reader System
External Camera Archiving
Remote Viewing Station
Recheck Station
Network Supervisory System (NSS)
Remote Access Connection
Smart Card Login

OPTIONAL ACCESSORIES

External UPS (For system)
Operator Console (Open-Closed/Adjustable/I-stand)
21,5"- 27" Flat Monitor
Input / Output Rollers
Test Kit (STP/ASTM)
Protective Cover
Search Table
Tray Return System (Motorized/Gravity)
Inclined Conveyor
Ultrasonic Rat Repellent
Radiation Meter

HEALTH AND SAFETY

All X-Ray Center Ltd products meet all applicable international health and safety regulations.

US FDA Federal Standard 21CFR 1020.40

Health and Safety at Work Act 1974-compliant 6 : Available

Film Safety : ISO 1600 / 33 DIN

CE Compliance : Certified

FCC & IEC Compatibility : Available

IP 20 Safety : Certified

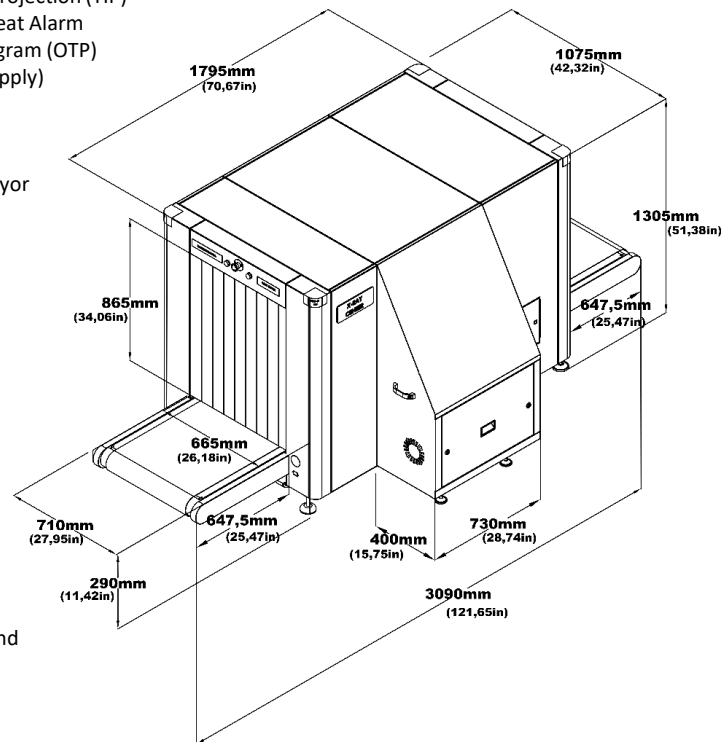
Maximum level of radiation the exterior panels come in contact with is 0.1 mR/hour

STANDARD IMAGE PROCESSING FEATURES

Perfect View (Detail Enhancement) (PV)
Edge Enhancement (EE)
Pseudo Color (PS)
Organic Materials (OM)
Inorganic Materials (IM)
Black & White (B/W)
Inverse Colors (IN)
High Penetration (HP)
Variable Edge Enhancement (+E -E)
Variable Density (+D -D)
Variable Gamma (+G -G)
Variable Color Separation (+C -C)
Zoom (64x)
Sniper Zoom
Recall Previous Images
Manual/Automatic Archive
Annotated Archive
Multi Energy Viewer (4 - 6 Color)
Atomic Number Display (Z Value)

STANDARD FEATURES

Programmable Function Keys
Parcel Counter
Date and Time Display
Virtual Threat Image Projection (TIP)
Organic/Inorganic Threat Alarm
Operator Training Program (OTP)
UPS (For Computer Supply)
Multi Languages
Self Diagnosis
Generator Timer
Automatic Stop Conveyor



OPERATING ENVIRONMENT

Storage / Operating Temperature	: -20°C to 50°C / 0°C to 40°C (-4°F to 122°F / 32°F to 104°F)
Relative Humidity	: 10% to 90% non-condensing

¹As tested on X-Ray Center Ltd. test piece. Conveyor speed is 0.20 m/sec.

Due to continuous product development, X-Ray Center reserves the right to change specifications without notice.

XRC 75-55

XRC 75-55 x-ray baggage scanner enables operators usage with the help of various image processing functions, hazard alarm, advanced computer technology and the best in class software. It makes it extraordinarily easy to detect threats such as cutting tools, explosive narcotics and reduces the rate of error. Thanks to its multi-diode structure and quality in imaging of scanned objects image is colored based on density and shows organic, inorganic and mixed materials in different tones. It is designed with the latest technology system to scan small handbags, packages parcels and cabin baggage in detail. Courts, police departments, offices, shopping malls, prisons and hotels are its main areas of application.

X-RAY GENERATOR & IMAGE PERFORMANCE

Steel Penetration ¹	: 37 mm guaranteed; 39 mm typical
Wire Resolution ¹	: 38 AWG guaranteed; 40 AWG typical
Anode Voltage	: 170kV, operating at 160kV
Tube Current	: 1,0 mA
Beam Direction	: Vertically upward
Article Separation	: Low Z, Medium Z, High Z to 0,5 Z Accuracy
Cooling	: Oil and forced air cooling

COMPUTER SPECIFICATIONS

Processor	: Intel® Core™ i5 (or superior)
Monitor	: 21,5" Flat (or superior)
Memory	: 4 GB RAM (or superior)
Video Card	: 2 GB (or superior)
Hard Drive	: 1 TB (or superior)
USB Port	: 6 port (or superior)
Operating System	: Linux

OPTIONAL FEATURES

Barcode Reader System
External Camera Archiving
Remote Viewing Station
Recheck Station
Network Supervisory System (NSS)
Remote Access Connection
Smart Card Login

OPTIONAL ACCESSORIES

External UPS (For system)
Operator Console (Open-Closed/Adjustable/I-stand)
21,5"- 27" Flat Monitor
Input / Output Rollers
Test Kit (STP/ASTM)
Protective Cover
Search Table
Tray Return System (Motorized/Gravity)
Inclined Conveyor
Ultrasonic Rat Repellent
Radiation Meter

HEALTH AND SAFETY

All X-Ray Center Ltd products meet all applicable international health and safety regulations.

US FDA Federal Standard 21CFR 1020.40

Health and Safety at Work Act 1974-compliant 6 : Available

Film Safety : ISO 1600 / 33 DIN

CE Compliance : Certified

FCC & IEC Compatibility : Available

IP 20 Safety : Certified

Maximum level of radiation the exterior panels come in contact with is 0.1 mR/hour

OPERATING ENVIRONMENT

Storage / Operating Temperature : -20°C to 50°C / 0°C to 40°C
(-4°F to 122°F / 32°F to 104°F)

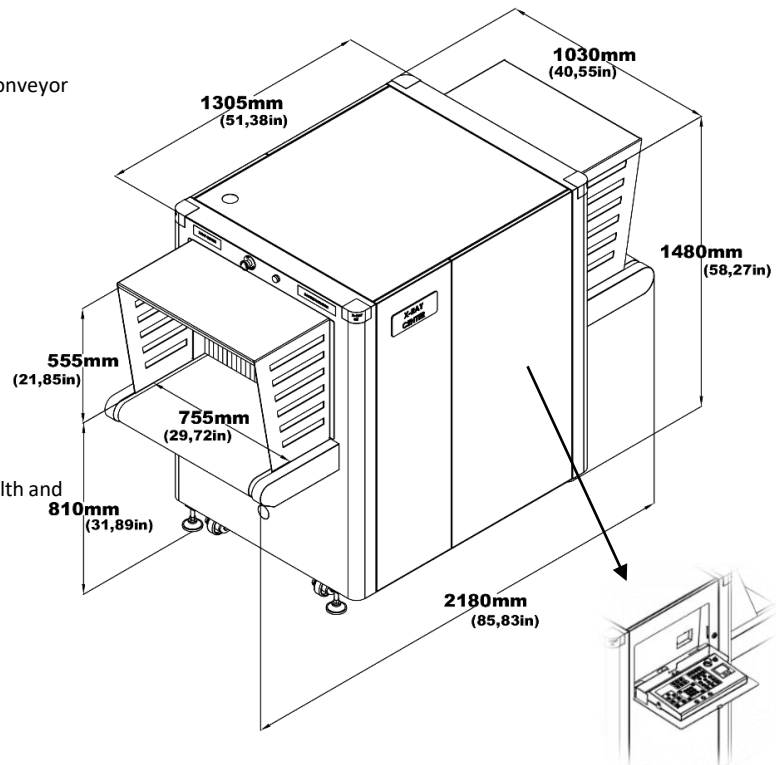
Relative Humidity : 10% to 90% non-condensing

STANDARD IMAGE PROCESSING FEATURES

Perfect View (Detail Enhancement) (PV)
Edge Enhancement (EE)
Pseudo Color (PS)
Organic Materials (OM)
Inorganic Materials (IIM)
Black & White (B/W)
Inverse Colors (IN)
High Penetration (HP)
Variable Edge Enhancement (+E -E)
Variable Density (+D -D)
Variable Gamma (+G -G)
Variable Color Separation (+C -C)
Zoom (64x)
Sniper Zoom
Recall Previous Images
Manual/Automatic Archive
Annotated Archive
Multi Energy Viewer (4 - 6 Color)
Atomic Number Display (Z Value)

STANDARD FEATURES

Programmable Function Keys
Parcel Counter
Date and Time Display
Virtual Threat Image Projection (TIP)
Organic/Inorganic Threat Alarm
Operator Training Program (OTP)
UPS (For Computer Supply)
Multi Languages
Self Diagnosis
Generator Timer
Automatic Stop Conveyor



The keyboard can be produced optionally as integrated into the device.

¹As tested on X-Ray Center Ltd. test piece. Conveyor speed is 0.20 m/sec.

Due to continuous product development, X-Ray Center reserves the right to change specifications without notice.

XRC 75-55DV

American Transportation Security Administration (TSA) ACSTL qualified XRC 75-55DV x-ray baggage scanner is manufactured with **dual view (DV)** technology. Thanks to its 2 generator sources, it provides high resolution and detailed imaging in horizontal and vertical view. The visuals can be accessed with a single scan without the need to re-place the packages in a different orientation. Thus, hidden objects in the luggage are detected more easily and quickly. It facilitates the operators use thanks to the various image processing functions, hazard alarm, advanced computer technology and the best in class software. It enables easy identification of potentially threatening objects such as cutting tools, explosives narcotics and minimizes the error rate. As a consequence of multi-diode structure and quality in imaging of scanned objects, image is colored based on density and shows organic, inorganic and mixed materials in different tones. Small handbags, packages parcels and cabin baggage are suitable for scanning. Institutions ensure that packages are inspected in places where inspection is required, such as airports checkpoints, airlines, international customs logistics, courts, police departments, shopping malls, prisons and hotels.

X-RAY GENERATOR & IMAGE PERFORMANCE

Steel Penetration ¹	: 37 mm guaranteed; 39 mm typical
Wire Resolution ¹	: 38 AWG guaranteed; 40 AWG typical
Anode Voltage	: 170kV, operating at 160kV
Tube Current	: 0,8 mA
Beam Direction	1st Generator : Vertically upward 2nd Generator : Horizontally sideward
Article Separation	: Low Z, Medium Z, High Z to 0,5 Z Accuracy
Cooling	: Oil and forced air cooling

COMPUTER SPECIFICATIONS

Processor	: Intel® Core™ i5 (or superior)
Monitor	: 21,5" Flat (or superior)
Memory	: 4 GB RAM (or superior)
Video Card	: 2 GB (or superior)
Hard Drive	: 1 TB (or superior)
USB Port	: 6 port (or superior)
Operating System	: Linux

OPTIONAL FEATURES

Barcode Reader System
External Camera Archiving
Remote Viewing Station
Recheck Station
Network Supervisory System (NSS)
Remote Access Connection
Smart Card Login

OPTIONAL ACCESSORIES

External UPS (For system)
Operator Console (Open-Closed/Adjustable/1-stand)
21,5"- 27" Flat Monitor
Input / Output Rollers
Test Kit (STP/ASTM)
Protective Cover
Search Table
Tray Return System (Motorized/Gravity)
Inclined Conveyor
Ultrasonic Rat Repellent
Radiation Meter

HEALTH AND SAFETY

All X-Ray Center Ltd products meet all applicable international health and safety regulations.

US FDA Federal Standard 21CFR 1020.40

Health and Safety at Work Act 1974-compliant 6 : Available

Film Safety : ISO 1600 / 33 DIN

CE Compliance : Certified

FCC & IEC Compatibility : Available

IP 20 Safety : Certified

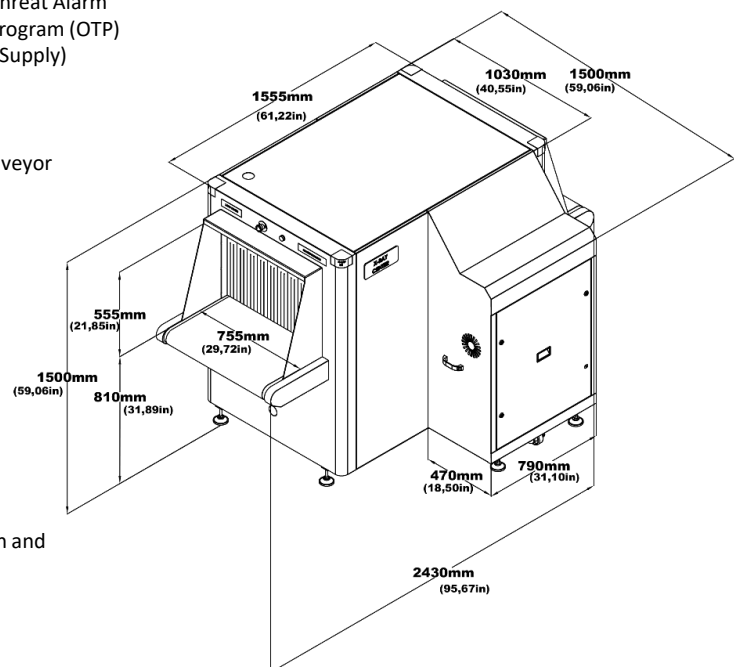
Maximum level of radiation the exterior panels come in contact with is 0.1 mR/hour

STANDARD IMAGE PROCESSING FEATURES

Perfect View (Detail Enhancement) (PV)
Edge Enhancement (EE)
Pseudo Color (PS)
Organic Materials (OM)
Inorganic Materials (IM)
Black & White (B/W)
Inverse Colors (IN)
High Penetration (HP)
Variable Edge Enhancement (+E -E)
Variable Density (+D -D)
Variable Gamma (+G -G)
Variable Color Separation (+C -C)
Zoom (64x)
Sniper Zoom
Recall Previous Images
Manual/Automatic Archive
Annotated Archive
Multi Energy Viewer (4 - 6 Color)
Atomic Number Display (Z Value)

STANDARD FEATURES

Programmable Function Keys
Parcel Counter
Date and Time Display
Virtual Threat Image Projection (TIP)
Organic/Inorganic Threat Alarm
Operator Training Program (OTP)
UPS (For Computer Supply)
Multi Languages
Self Diagnosis
Generator Timer
Automatic Stop Conveyor



OPERATING ENVIRONMENT

Storage / Operating Temperature : -20°C to 50°C / 0°C to 40°C
(-4°F to 122°F / 32°F to 104°F)
Relative Humidity : 10% to 90% non-condensing

¹As tested on X-Ray Center Ltd. test piece. Conveyor speed is 0.20 m/sec.

Due to continuous product development, X-Ray Center reserves the right to change specifications without notice.



LARGE PARCEL AND FREIGHT

XRC 85-85



PHYSICAL PROPERTIES

Tunnel Size (W x H)	: 865 mm x 865 mm : 34,06 in x 34,06 in
Dimensions (L x H x W)	: 3070 mm x 1730 mm x 1275 mm : 120,87 in x 68,11 in x 50,20 in
Approx. Weight Unpacked	: ~1020 kg (2249 lbs.)
Conveyor Height	: 335mm (13,19 in)
Conveyor Load Capacity	: 200 kg (441 lbs.) Evenly Distributed
System Power	: 110/220V AC ± 10% 50/60 Hz
Conveyor Speed	: 0,20 m/sec. Forward or Reverse

XRC 90-75

PHYSICAL PROPERTIES

Tunnel Size (W x H)	: 915 mm x 765mm : 36,02 in x 30,12 in
Dimensions (L x H x W)	: 2890 mm x 1630 mm x 1325 mm : 113,78 in x 64,17 in x 52,17 in
Approx. Weight Unpacked	: ~840 kg (1852 lbs.)
Conveyor Height	: 335 mm (13,19 in)
Conveyor Load Capacity	: 200 kg (441 lbs.) Evenly Distributed
System Power	: 110/220V AC ± 10% 50/60 Hz
Conveyor Speed	: 0,20 m/sec. Forward or Reverse



XRC 100-100



PHYSICAL PROPERTIES

Tunnel Size (W x H)	: 1000 mm x 1000 mm : 39,37 in x 39,37 in
Dimensions (L x H x W)	: 3550 mm x 1930 mm x 1410 mm : 139,76 in x 75,98 in x 55,51 in
Approx. Weight Unpacked	: ~1165 kg (2568 lbs.)
Conveyor Height	: 790 mm (31,10 in)
Conveyor Load Capacity	: 200 kg (441 lbs.) Evenly Distributed
System Power	: 110/220V AC ± 10% 50/60 Hz
Conveyor Speed	: 0,20 m/sec. Forward or Reverse

XRC 100-100LC



PHYSICAL PROPERTIES

Tunnel Size (W x H)	: 1000 mm x 1000 mm : 39,37 in x 39,37 in
Dimensions (L x H x W)	: 3340 mm x 1865 mm x 1410 mm : 131,50 in x 73,43 in x 55,51 in
Approx. Weight Unpacked	: ~1020 kg (2249 lbs.)
Conveyor Height	: 335 mm (13,19 in)
Conveyor Load Capacity	: 200 kg (441 lbs.) Evenly Distributed
System Power	: 110/220V AC ± 10% 50/60 Hz
Conveyor Speed	: 0,20 m/sec. Forward or Reverse



PHYSICAL PROPERTIES

Tunnel Size (W x H)	: 1000 mm x 1000 mm : 39,37 in x 39,37 in
Dimensions (L x H x W)	: 3650 mm x 1865 mm x 1810 mm : 143,70 in x 73,43 in x 71,26 in
Approx. Weight Unpacked	: ~1340 kg (2954 lbs.)
Conveyor Height	: 335 mm (13,19 in)
Conveyor Load Capacity	: 200 kg (441 lbs.) Evenly Distributed
System Power	: 110/220V AC ± 10% 50/60 Hz
Conveyor Speed	: 0,20 m/sec. Forward or Reverse

XRC 100-100DV



XRC 100-100HCDV



PHYSICAL PROPERTIES

Tunnel Size (W x H)	: 1000 mm x 1000 mm : 39,37 in x 39,37 in
Dimensions (L x H x W)	: 3905 mm x 1925 mm x 1830 mm : 153,74 in x 75,79 in x 72,05 in
Approx. Weight Unpacked	: ~1420 kg (3131 lbs.)
Conveyor Height	: 750 mm (29,53 in)
Conveyor Load Capacity	: 200 kg (441 lbs.) Evenly Distributed
System Power	: 110/220V AC ± 10% 50/60 Hz
Conveyor Speed	: 0,20 m/sec. Forward or Reverse

XRC 85-85

The **XRC 85-85** x-ray machine facilitates the placement of heavy objects into the device with the help of **low conveyor unit**. It simplified the operators use thanks to the various image processing functions, hazard alarm, advanced computer technology and the best in class software. It makes it extraordinarily easy to scan threats such as cutting tools, explosive narcotics and reduces the rate of error.

It provides unique image quality by showing the scanned organic, inorganic and mixed items in different colors thanks to its multi-diode structure and quality in imaging of scanned objects. It is designed with the latest technology system to scan medium and large bags and packages.

This model x-ray device offers the ideal solution for locations where security screening is required like at high traffic checkpoints as city transportation (metro, ferry, train stations), customs border crossings, prisons, and courier depots, such as international logistics companies, goods acceptance points and etc.

X-RAY GENERATOR & IMAGE PERFORMANCE

Steel Penetration ¹	: 37 mm guaranteed; 39 mm typical
Wire Resolution ¹	: 36 AWG guaranteed; 38 AWG typical
Anode Voltage	: 180kV, operating at 160kV
Tube Current	: 1,0 mA
Beam Direction	: Vertically downward
Article Separation	: Low Z, Medium Z, High Z to 0,5 Z Accuracy
Cooling	: Oil and forced air cooling

COMPUTER SPECIFICATIONS

Processor	: Intel® Core™ i5 (or superior)
Monitor	: 21,5" Flat (or superior)
Memory	: 4 GB RAM (or superior)
Video Card	: 2 GB (or superior)
Hard Drive	: 1 TB (or superior)
USB Port	: 6 port (or superior)
Operating System	: Linux

OPTIONAL FEATURES

- Barcode Reader System
- External Camera Archiving
- Remote Viewing Station
- Recheck Station
- Network Supervisory System (NSS)
- Remote Access Connection
- Smart Card Login

OPTIONAL ACCESSORIES

- External UPS (For system)
- Operator Console (Open-Closed/Adjustable/I-stand)
- 21,5"- 27" Flat Monitor
- Input / Output Rollers
- Test Kit (STP/ASTM)
- Protective Cover
- Search Table
- Tray Return System (Motorized/Gravity)
- Inclined Conveyor
- Ultrasonic Rat Repellent
- Radiation Meter

HEALTH AND SAFETY

All X-Ray Center Ltd products meet all applicable international health and safety regulations.

US FDA Federal Standard 21CFR 1020.40

Health and Safety at Work Act 1974-compliant 6 : Available

Film Safety : ISO 1600 / 33 DIN

CE Compliance : Certified

FCC & IEC Compatibility : Available

IP 20 Safety : Certified

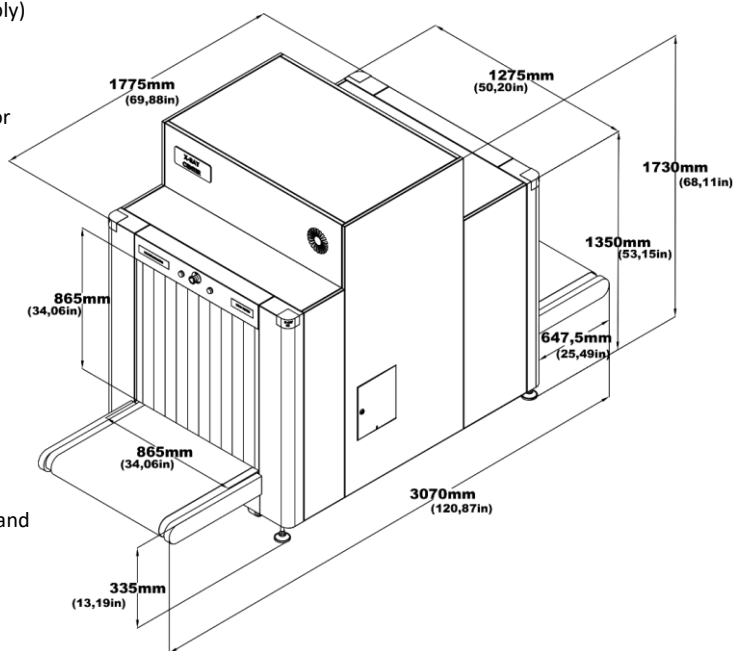
Maximum level of radiation the exterior panels come in contact with is 0.1 mR/hour

STANDARD IMAGE PROCESSING FEATURES

- Perfect View (Detail Enhancement) (PV)
- Edge Enhancement (EE)
- Pseudo Color (PS)
- Organic Materials (OM)
- Inorganic Materials (IM)
- Black & White (B/W)
- Inverse Colors (IN)
- High Penetration (HP)
- Variable Edge Enhancement (+E -E)
- Variable Density (+D -D)
- Variable Gamma (+G -G)
- Variable Color Separation (+C -C)
- Zoom (64x)
- Sniper Zoom
- Recall Previous Images
- Manual/Automatic Archive
- Annotated Archive
- Multi Energy Viewer (4 - 6 Color)
- Atomic Number Display (Z Value)

STANDARD FEATURES

- Programmable Function Keys
- Parcel Counter
- Date and Time Display
- Virtual Threat Image Projection (TIP)
- Organic/Inorganic Threat Alarm
- Operator Training Program (OTP)
- UPS (For Computer Supply)
- Multi Languages
- Self Diagnosis
- Generator Timer
- Automatic Stop Conveyor



OPERATING ENVIRONMENT

Storage / Operating Temperature : -20°C to 50°C / 0°C to 40°C
(-4°F to 122°F / 32°F to 104°F)

Relative Humidity : 10% to 90% non-condensing

¹As tested on X-Ray Center Ltd. test piece. Conveyor speed is 0.20 m/sec.
Due to continuous product development, X-Ray Center reserves the right to change specifications without notice.

XRC 90-75

The **XRC 90-75** x-ray machine, which has a low conveyor unit. Thanks to this unit, heavy loads can be easily and conveniently placed. It facilitates the operators use thanks to the various image processing functions, hazard alarm, advanced computer technology and the best in class software. It provides exceptional ease in detecting threats such as cutting tools, explosives narcotics and minimizes the error rate.

Thanks to its multi-diode structure and quality in imaging of scanned object, image is colored based on density and shows organic, inorganic and mixed materials in different tones.

It is an efficient and a powerful x-ray scanning device that allows inspection in at high traffic checkpoints as city transportation (metro, ferry, train stations), customs border crossings, prisons, and courier depots, like international logistics companies, goods acceptance points and etc. for scanning of medium and large bags and packages in detail.

X-RAY GENERATOR & IMAGE PERFORMANCE

Steel Penetration ¹	: 35 mm guaranteed; 37 mm typical
Wire Resolution ¹	: 36 AWG guaranteed; 38 AWG typical
Anode Voltage	: 180kV, operating at 160kV
Tube Current	: 1,0 mA
Beam Direction	: Vertically downward
Article Separation	: Low Z, Medium Z, High Z to 0,5 Z Accuracy
Cooling	: Oil and forced air cooling

COMPUTER SPECIFICATIONS

Processor	: Intel® Core™ i5 (or superior)
Monitor	: 21,5" Flat (or superior)
Memory	: 4 GB RAM (or superior)
Video Card	: 2 GB (or superior)
Hard Drive	: 1 TB (or superior)
USB Port	: 6 port (or superior)
Operating System	: Linux

OPTIONAL FEATURES

Barcode Reader System
External Camera Archiving
Remote Viewing Station
Recheck Station
Network Supervisory System (NSS)
Remote Access Connection
Smart Card Login

STANDARD FEATURES

Programmable Function Keys
Parcel Counter
Date and Time Display
Virtual Threat Image Projection (TIP)
Organic/Inorganic Threat Alarm
Operator Training Program (OTP)
UPS (For Computer Supply)
Multi Languages
Self Diagnosis
Generator Timer
Automatic Stop Conveyor

OPTIONAL ACCESSORIES

External UPS (For system)
Operator Console (Open-Closed/Adjustable/I-stand)
21,5"- 27" Flat Monitor
Input / Output Rollers
Test Kit (STP/ASTM)
Protective Cover
Search Table
Tray Return System (Motorized/Gravity)
Inclined Conveyor
Ultrasonic Rat Repellent
Radiation Meter

HEALTH AND SAFETY

All X-Ray Center Ltd products meet all applicable international health and safety regulations.

US FDA Federal Standard 21CFR 1020.40

Health and Safety at Work Act 1974-compliant 6 : Available

Film Safety : ISO 1600 / 33 DIN

CE Compliance : Certified

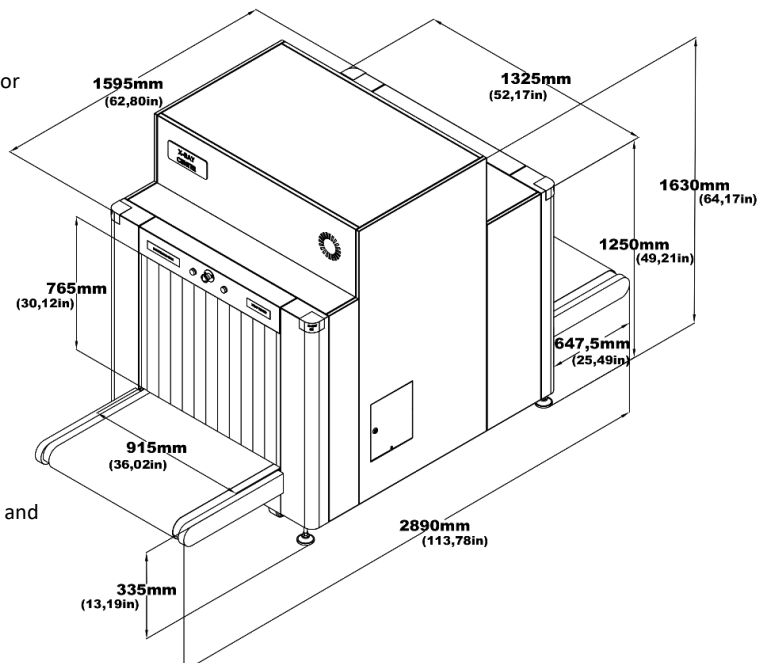
FCC & IEC Compatibility : Available

IP 20 Safety : Certified

Maximum level of radiation the exterior panels come in contact with is 0.1 mR/hour

STANDARD IMAGE PROCESSING FEATURES

Perfect View (Detail Enhancement) (PV)
Edge Enhancement (EE)
Pseudo Color (PS)
Organic Materials (OM)
Inorganic Materials (IM)
Black & White (B/W)
Inverse Colors (IN)
High Penetration (HP)
Variable Edge Enhancement (+E -E)
Variable Density (+D -D)
Variable Gamma (+G -G)
Variable Color Separation (+C -C)
Zoom (64x)
Sniper Zoom
Recall Previous Images
Manual/Automatic Archive
Annotated Archive
Multi Energy Viewer (4 - 6 Color)
Atomic Number Display (Z Value)



OPERATING ENVIRONMENT

Storage / Operating Temperature	: -20°C to 50°C / 0°C to 40°C (-4°F to 122°F / 32°F to 104°F)
Relative Humidity	: 10% to 90% non-condensing

¹As tested on X-Ray Center Ltd. test piece. Conveyor speed is 0.20 m/sec.

Due to continuous product development, X-Ray Center reserves the right to change specifications without notice.

XRC 100-100

This x-ray baggage scanner facilitates the operators use thanks to the various image processing functions, hazard alarm, advanced computer technology and the best in class software. It provides exceptional ease in detecting threats such as cutting tools, explosives narcotics and minimizes the error rate. **XRC 100-100** offers unique image quality by showing the scanned organic, inorganic and mixed items in different colors thanks to its multi-diode structure and quality in imaging of scanned objects which is designed with the latest technology system to scan medium and large bags and packages.

Institutions ensure that packages are inspected in places where inspection is required, such as high traffic checkpoints, city transportation (metro, ferry, train stations), customs border crossings, prisons, and courier depots like international logistics companies, goods acceptance points and etc.

X-RAY GENERATOR & IMAGE PERFORMANCE

Steel Penetration ¹	: 37 mm guaranteed; 39 mm typical
Wire Resolution ¹	: 38 AWG guaranteed; 40 AWG typical
Anode Voltage	: 180kV, operating at 160kV
Tube Current	: 1,0 mA
Beam Direction	: Vertically upward
Article Separation	: Low Z, Medium Z, High Z to 0,5 Z Accuracy
Cooling	: Oil and forced air cooling

COMPUTER SPECIFICATIONS

Processor	: Intel® Core™ i5 (or superior)
Monitor	: 21,5" Flat (or superior)
Memory	: 4 GB RAM (or superior)
Video Card	: 2 GB (or superior)
Hard Drive	: 1 TB (or superior)
USB Port	: 6 port (or superior)
Operating System	: Linux

OPTIONAL FEATURES

Barcode Reader System
External Camera Archiving
Remote Viewing Station
Recheck Station
Network Supervisory System (NSS)
Remote Access Connection
Smart Card Login

OPTIONAL ACCESSORIES

External UPS (For system)
Operator Console (Open-Closed/Adjustable/I-stand)
21,5"- 27" Flat Monitor
Input / Output Rollers
Test Kit (STP/ASTM)
Protective Cover
Search Table
Tray Return System (Motorized/Gravity)
Inclined Conveyor
Ultrasonic Rat Repellent
Radiation Meter

HEALTH AND SAFETY

All X-Ray Center Ltd products meet all applicable international health and safety regulations.

US FDA Federal Standard 21CFR 1020.40

Health and Safety at Work Act 1974-compliant 6 : Available

Film Safety : ISO 1600 / 33 DIN

CE Compliance : Certified

FCC & IEC Compatibility : Available

IP 20 Safety : Certified

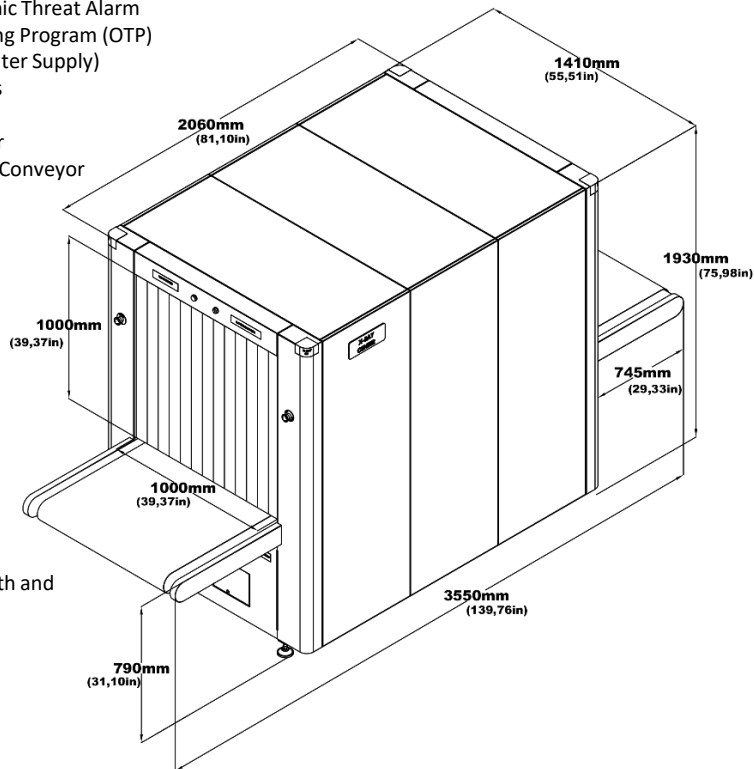
Maximum level of radiation the exterior panels come in contact with is 0.1 mR/hour

STANDARD IMAGE PROCESSING FEATURES

Perfect View (Detail Enhancement) (PV)
Edge Enhancement (EE)
Pseudo Color (PS)
Organic Materials (OM)
Inorganic Materials (IM)
Black & White (B/W)
Inverse Colors (IN)
High Penetration (HP)
Variable Edge Enhancement (+E -E)
Variable Density (+D -D)
Variable Gamma (+G -G)
Variable Color Separation (+C -C)
Zoom (64x)
Sniper Zoom
Recall Previous Images
Manual/Automatic Archive
Annotated Archive
Multi Energy Viewer (4 - 6 Color)
Atomic Number Display (Z Value)

STANDARD FEATURES

Programmable Function Keys
Parcel Counter
Date and Time Display
Virtual Threat Image Projection (TIP)
Organic/Inorganic Threat Alarm
Operator Training Program (OTP)
UPS (For Computer Supply)
Multi Languages
Self Diagnosis
Generator Timer
Automatic Stop Conveyor



OPERATING ENVIRONMENT

Storage / Operating Temperature	: -20°C to 50°C / 0°C to 40°C (-4°F to 122°F / 32°F to 104°F)
Relative Humidity	: 10% to 90% non-condensing

¹As tested on X-Ray Center Ltd. test piece. Conveyor speed is 0.20 m/sec.
Due to continuous product development, X-Ray Center reserves the right to change specifications without notice.

XRC 100-100LC

European Civil Aviation Technical Service (STAC) certified x-ray device has low conveyor unit which facilitates the placement of heavy objects into the device. It simplifies the operators use thanks to the various image processing functions, hazard alarm, advanced computer technology and the best in class software. It makes it extraordinarily easy to scan threats such as cutting tools, explosive narcotics and reduces the rate of error.

It provides unique image quality by showing the scanned organic, inorganic and mixed objects in different colors thanks to its multi-diode structure and quality in imaging of scanned objects. It is an efficient and a powerful device for scanning medium and large bags and packages in detail.

Institutions ensure that packages are inspected in places where inspection is required, such as high traffic checkpoints, city transportation (metro, ferry, train stations), customs border crossings, prisons, and courier depots, like international logistics companies, goods acceptance points and etc.

X-RAY GENERATOR & IMAGE PERFORMANCE

Steel Penetration ¹	: 35 mm guaranteed; 37 mm typical
Wire Resolution ¹	: 36 AWG guaranteed; 38 AWG typical
Anode Voltage	: 180kV, operating at 165kV
Tube Current	: 1,0 mA
Beam Direction	: Vertically downward
Article Separation	: Low Z, Medium Z, High Z to 0,5 Z Accuracy
Cooling	: Oil and forced air cooling

COMPUTER SPECIFICATIONS

Processor	: Intel® Core™ i5 (or superior)
Monitor	: 21,5" Flat (or superior)
Memory	: 4 GB RAM (or superior)
Video Card	: 2 GB (or superior)
Hard Drive	: 1 TB (or superior)
USB Port	: 6 port (or superior)
Operating System	: Linux

OPTIONAL FEATURES

Barcode Reader System
External Camera Archiving
Remote Viewing Station
Recheck Station
Network Supervisory System (NSS)
Remote Access Connection
Smart Card Login

OPTIONAL ACCESSORIES

External UPS (For system)
Operator Console (Open-Closed/Adjustable/I-stand)
21,5"- 27" Flat Monitor
Input / Output Rollers
Test Kit (STP/ASTM)
Protective Cover
Search Table
Tray Return System (Motorized/Gravity)
Inclined Conveyor
Ultrasonic Rat Repellent
Radiation Meter

HEALTH AND SAFETY

All X-Ray Center Ltd products meet all applicable international health and safety regulations.

US FDA Federal Standard 21CFR 1020.40

Health and Safety at Work Act 1974-compliant 6 : Available

Film Safety : ISO 1600 / 33 DIN

CE Compliance : Certified

FCC & IEC Compatibility : Available

IP 20 Safety : Certified

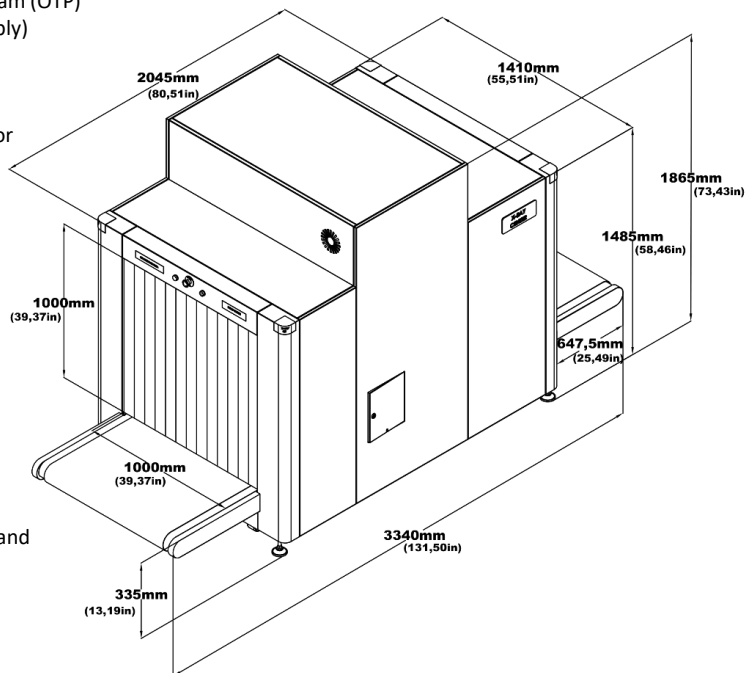
Maximum level of radiation the exterior panels come in contact with is 0.1 mR/hour

STANDARD IMAGE PROCESSING FEATURES

Perfect View (Detail Enhancement) (PV)
Edge Enhancement (EE)
Pseudo Color (PS)
Organic Materials (OM)
Inorganic Materials (IM)
Black & White (B/W)
Inverse Colors (IN)
High Penetration (HP)
Variable Edge Enhancement (+E -E)
Variable Density (+D -D)
Variable Gamma (+G -G)
Variable Color Separation (+C -C)
Zoom (64x)
Sniper Zoom
Recall Previous Images
Manual/Automatic Archive
Annotated Archive
Multi Energy Viewer (4 - 6 Color)
Atomic Number Display (Z Value)

STANDARD FEATURES

Programmable Function Keys
Parcel Counter
Date and Time Display
Virtual Threat Image Projection (TIP)
Organic/Inorganic Threat Alarm
Operator Training Program (OTP)
UPS (For Computer Supply)
Multi Languages
Self Diagnosis
Generator Timer
Automatic Stop Conveyor



OPERATING ENVIRONMENT

Storage / Operating Temperature : -20°C to 50°C / 0°C to 40°C
(-4°F to 122°F / 32°F to 104°F)
Relative Humidity : 10% to 90% non-condensing

¹As tested on X-Ray Center Ltd. test piece. Conveyor speed is 0.20 m/sec.

Due to continuous product development, X-Ray Center reserves the right to change specifications without notice.

XRC 100-100DV

American Transportation Security Administration (TSA) ACSTL and European Civil Aviation Technical Service (STAC) certified XRC 100-100DV x-ray baggage scanner facilitates the operators use thanks to the various image processing functions, hazard alarm, advanced computer technology and the best in class software. It enables easy identification of potentially threatening objects such as cutting tools, explosives narcotics and minimizes the error rate. Thanks to its multi-diode structure and quality in imaging of scanned materials, image is colored based on density and shows organic, inorganic and mixed materials in different tones. It is designed with **dual view (DV)** technology. Thanks to its 2 x-ray generator sources, it provides high resolution and detailed imaging in horizontal and vertical angles. The images can be accessed with a single scan without the need to re-place the packages in a different orientation. Thus, hidden objects in the luggage are detected more easily and quickly.

It is an efficient and a powerful device for scanning medium and large bags and packages in detail. The x-ray security machine provides the ideal solution for locations where security screening is required like at high traffic checkpoints as city transportation (metro, ferry, train stations), customs border crossings, prisons, and courier depots, like international logistics companies, goods acceptance points and etc.

X-RAY GENERATOR & IMAGE PERFORMANCE

Steel Penetration ¹	: 36 mm guaranteed; 40 mm typical
Wire Resolution ¹	: 38 AWG guaranteed; 40 AWG typical
Anode Voltage	: 180kV, operating at 165kV
Tube Current	: 1,0 mA
Beam Direction	1st Generator : Vertically downward 2nd Generator : Horizontally sideward
Article Separation	: Low Z, Medium Z, High Z to 0,5 Z Accuracy
Cooling	: Oil and forced air cooling

COMPUTER SPECIFICATIONS

Processor	: Intel® Core™ i5 (or superior)
Monitor	: 21,5" Flat (or superior)
Memory	: 4 GB RAM (or superior)
Video Card	: 2 GB (or superior)
Hard Drive	: 1 TB (or superior)
USB Port	: 6 port (or superior)
Operating System	: Linux

OPTIONAL FEATURES

Barcode Reader System
External Camera Archiving
Remote Viewing Station
Recheck Station
Network Supervisory System (NSS)
Remote Access Connection
Smart Card Login

OPTIONAL ACCESSORIES

External UPS (For system)
Operator Console (Open-Closed/Adjustable/I-stand)
21,5"- 27" Flat Monitor
Input / Output Rollers
Test Kit (STP/ASTM)
Protective Cover
Search Table
Tray Return System (Motorized/Gravity)
Inclined Conveyor
Ultrasonic Rat Repellent
Radiation Meter

HEALTH AND SAFETY

All X-Ray Center Ltd products meet all applicable international health and safety regulations.

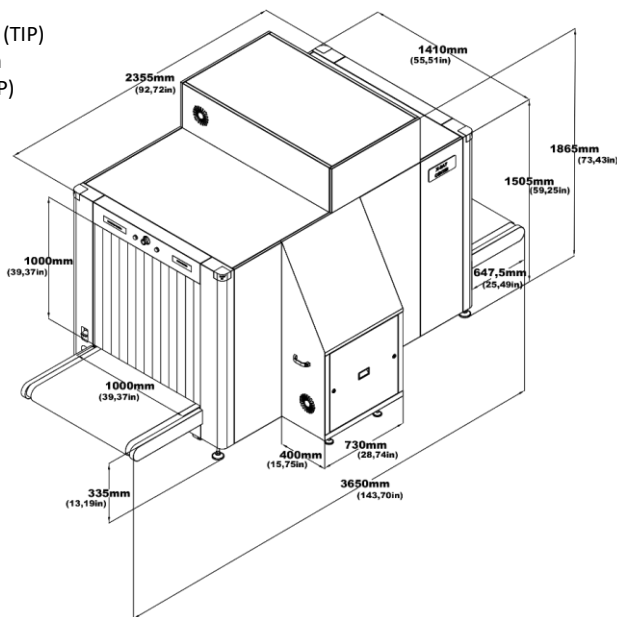
US FDA Federal Standard 21CFR 1020.40
Health and Safety at Work Act 1974-compliant 6 : Available
Film Safety : ISO 1600 / 33 DIN
CE Compliance : Certified
FCC & IEC Compatibility : Available
IP 20 Safety : Certified
Maximum level of radiation the exterior panels come in contact with is 0.1 mR/hour

STANDARD IMAGE PROCESSING FEATURES

Perfect View (Detail Enhancement) (PV)
Edge Enhancement (EE)
Pseudo Color (PS)
Organic Materials (OM)
Inorganic Materials (IM)
Black & White (B/W)
Inverse Colors (IN)
High Penetration (HP)
Variable Edge Enhancement (+E -E)
Variable Density (+D -D)
Variable Gamma (+G -G)
Variable Color Separation (+C -C)
Zoom (64x)
Sniper Zoom
Recall Previous Images
Manual/Automatic Archive
Annotated Archive
Multi Energy Viewer (4 - 6 Color)
Atomic Number Display (Z Value)

STANDARD FEATURES

Programmable Function Keys
Parcel Counter
Date and Time Display
Virtual Threat Image Projection (TIP)
Organic/Inorganic Threat Alarm
Operator Training Program (OTP)
UPS (For Computer Supply)
Multi Languages
Self Diagnosis
Generator Timer
Automatic Stop Conveyor



OPERATING ENVIRONMENT

Storage / Operating Temperature : -20°C to 50°C / 0°C to 40°C
(-4°F to 122°F / 32°F to 104°F)
Relative Humidity : 10% to 90% non-condensing

¹As tested on X-Ray Center Ltd. test piece. Conveyor speed is 0.20 m/sec.
Due to continuous product development, X-Ray Center reserves the right to change specifications without notice.

XRC 100-100HCDV

XRC 100-100HCDV x-ray baggage scanner has **high conveyor unit** and **dual view system** together. The machine itself facilitates the operators use thanks to the various image processing functions, hazard alarm, advanced computer technology and the best in class software. It provides exceptional ease in detecting threats such as cutting tools, explosives narcotics and minimizes the error rate.

Thanks to its multi-diode structure and quality in imaging of scanned objects, image is colored based on density and shows organic, inorganic and mixed materials in different tones. With the help of 2 generator sources, it provides high resolution and detailed imaging in horizontal and vertical angles. The images can be accessed with a single scan without the need to re-place the packages in a different orientation. Thus, hidden objects in the luggage are detected more easily and quickly. It is designed with the latest technology to scan medium and large bags and packages. Post offices high traffic checkpoints as city transportation (metro, ferry, train stations), customs border crossings, prisons, and courier depots, like international logistics companies, goods acceptance points and etc. are its main areas of application.

X-RAY GENERATOR & IMAGE PERFORMANCE

Steel Penetration ¹	: 37 mm guaranteed; 39 mm typical
Wire Resolution ¹	: 38 AWG guaranteed; 40 AWG typical
Anode Voltage	: 180kV, operating at 160kV
Tube Current	: 1,0 mA
Beam Direction	1st Generator : Vertically upward 2nd Generator : Horizontally sideward
Article Separation	: Low Z, Medium Z, High Z to 0,5 Z Accuracy
Cooling	: Oil and forced air cooling

COMPUTER SPECIFICATIONS

Processor	: Intel® Core™ i5 (or superior)
Monitor	: 21,5" Flat (or superior)
Memory	: 4 GB RAM (or superior)
Video Card	: 2 GB (or superior)
Hard Drive	: 1 TB (or superior)
USB Port	: 6 port (or superior)
Operating System	: Linux

OPTIONAL FEATURES

Barcode Reader System
External Camera Archiving
Remote Viewing Station
Recheck Station
Network Supervisory System (NSS)
Remote Access Connection
Smart Card Login

OPTIONAL ACCESSORIES

External UPS (For system)
Operator Console (Open-Closed/Adjustable/I-stand)
21,5"- 27" Flat Monitor
Input / Output Rollers
Test Kit (STP/ASTM)
Protective Cover
Search Table
Tray Return System (Motorized/Gravity)
Inclined Conveyor
Ultrasonic Rat Repellent
Radiation Meter

HEALTH AND SAFETY

All X-Ray Center Ltd products meet all applicable international health and safety regulations.

US FDA Federal Standard 21CFR 1020.40

Health and Safety at Work Act 1974-compliant 6 : Available

Film Safety : ISO 1600 / 33 DIN

CE Compliance : Certified

FCC & IEC Compatibility : Available

IP 20 Safety : Certified

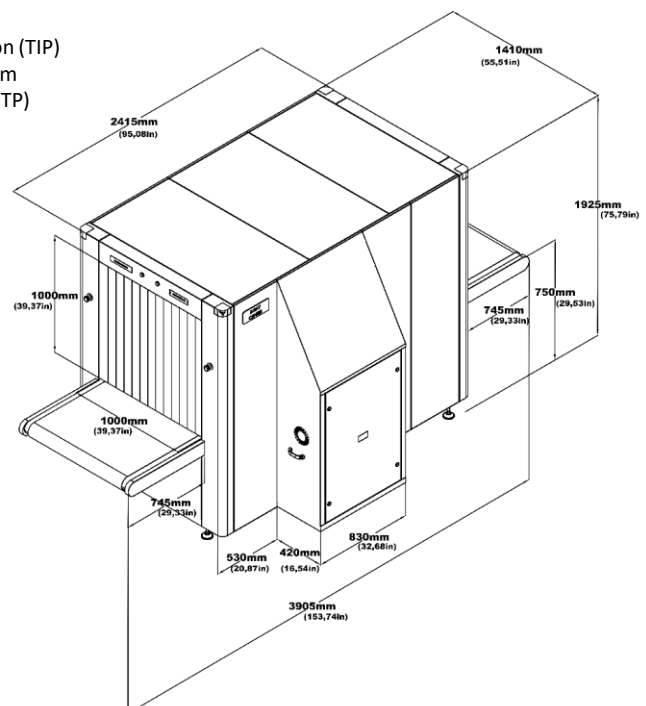
Maximum level of radiation the exterior panels come in contact with is 0.1 mR/hour

STANDARD IMAGE PROCESSING FEATURES

Perfect View (Detail Enhancement) (PV)
Edge Enhancement (EE)
Pseudo Color (PS)
Organic Materials (OM)
Inorganic Materials (IM)
Black & White (B/W)
Inverse Colors (IN)
High Penetration (HP)
Variable Edge Enhancement (+E -E)
Variable Density (+D -D)
Variable Gamma (+G -G)
Variable Color Separation (+C -C)
Zoom (64x)
Sniper Zoom
Recall Previous Images
Manual/Automatic Archive
Annotated Archive
Multi Energy Viewer (4 - 6 Color)
Atomic Number Display (Z Value)

STANDARD FEATURES

Programmable Function Keys
Parcel Counter
Date and Time Display
Virtual Threat Image Projection (TIP)
Organic/Inorganic Threat Alarm
Operator Training Program (OTP)
UPS (For Computer Supply)
Multi Languages
Self Diagnosis
Generator Timer
Automatic Stop Conveyor



OPERATING ENVIRONMENT

Storage / Operating Temperature : -20°C to 50°C / 0°C to 40°C
(-4°F to 122°F / 32°F to 104°F)
Relative Humidity : 10% to 90% non-condensing

¹As tested on X-Ray Center Ltd. test piece. Conveyor speed is 0.20 m/sec.

Due to continuous product development, X-Ray Center reserves the right to change specifications without notice.

PALLET & CARGO

XRC 150-165



PHYSICAL PROPERTIES

Tunnel Size (W x H)	: 1530 mm x 1655 mm
Dimensions (L x H x W)	: 60,24 in x 65,16 in
Approx. Weight Unpacked	: 6445 mm x 2145 mm x 2440 mm
Conveyor Height	: 253,74 in x 84,45 in x 96,06 in
Conveyor Load Capacity	: ~2450 kg (5401 lbs.)
System Power	: 295 mm (11,61 in)
Conveyor Speed	: 3000 kg (6614 lbs.) Evenly Distributed
	: 110/220V AC ± 10% 50/60 Hz
	: 0,20 m/sec. Forward or Reverse

PHYSICAL PROPERTIES

Tunnel Size (W x H)	: 1540 mm x 1660 mm
Dimensions (L x H x W)	: 60,63 in x 65,35 in
Approx. Weight Unpacked	: 8180 mm x 2865 mm x 2505 mm
Conveyor Height	: 322,05 in x 112,80 in x 98,62 in
Conveyor Load Capacity	: ~6100 kg (13448 lbs.)
System Power	: 385 mm (15,16 in)
Conveyor Speed	: 3000 kg (6614 lbs.) Evenly Distributed
	: 110/220V AC ± 10% 50/60 Hz
	: 0,20 m/sec. Forward or Reverse

XRC 150-165DV



XRC 150-165DV (320kV)



PHYSICAL PROPERTIES

Tunnel Size (W x H)	: 1520 mm x 1660 mm
Dimensions (L x H x W)	: 59,84 in x 65,35 in
Approx. Weight Unpacked	: 8280 mm x 3260 mm x 3185 mm
Conveyor Height	: 325,98 in x 128,35 in x 125,39 in
Conveyor Load Capacity	: ~9500 kg (20944 lbs.)
System Power	: 465 mm (18,31 in)
Conveyor Speed	: 3000 kg (6614 lbs.) Evenly Distributed
	: 110/220V AC ± 10% 50/60 Hz
	: 0,20 m/sec. Forward or Reverse

XRC 180-180



PHYSICAL PROPERTIES

Tunnel Size (W x H)	: 1825 mm x 1810 mm
Dimensions (L x H x W)	: 71,85 in x 71,26 in
Approx. Weight Unpacked	: 8100 mm x 2315 mm x 2775 mm
Conveyor Height	: 318,90 in x 91,14 in x 109,25 in
Conveyor Load Capacity	: ~5800 kg (12787 lbs.)
System Power	: 290 mm (11,42 in)
Conveyor Speed	: 3000 kg (6614 lbs.) Evenly Distributed
	: 110/220V AC ± 10% 50/60 Hz
	: 0,20 m/sec. Forward or Reverse

PHYSICAL PROPERTIES

Tunnel Size (W x H)	: 1820 mm x 1810 mm
Dimensions (L x H x W)	: 71,65 in x 71,26 in
Approx. Weight Unpacked	: 8580 mm x 3015 mm x 2785 mm
Conveyor Height	: 337,80 in x 118,70 in x 109,65 in
Conveyor Load Capacity	: ~6800 kg (14991 lbs.)
System Power	: 385 mm (15,16 in)
Conveyor Speed	: 3000 kg (6614 lbs.) Evenly Distributed
	: 110/220V AC ± 10% 50/60 Hz
	: 0,20 m/sec. Forward or Reverse

XRC 180-180DV



XRC 180-180 DV (320KV)



PHYSICAL PROPERTIES

Tunnel Size (W x H)	: 1800 mm x 1810 mm
Dimensions (L x H x W)	: 70,87 in x 71,26 in
Approx. Weight Unpacked	: 8580 mm x 3410 mm x 3465 mm
Conveyor Height	: 337,80 in x 134,25 in x 136,42 in
Conveyor Load Capacity	: ~10500 kg (23149 lbs.)
System Power	: 465 mm (18,31 in)
Conveyor Speed	: 3000 kg (6614 lbs.) Evenly Distributed
	: 110/220V AC ± 10% 50/60 Hz
	: 0,20 m/sec. Forward or Reverse



XRC 150-165

XRC 150-165 provides excellent performance thanks to its **200kV** generator. It facilitates the operators use thanks to the various image processing functions, hazard alarm, advanced computer technology and the best in class software. It provides exceptional ease in detecting threats such as cutting tools, explosives narcotics and minimizes the error rate. Thanks to its multi-diode structure and quality in imaging of scanned materials, image is colored based on density and shows organic, inorganic and mixed materials in different tones. It is designed with the latest technology to scan medium and large packages on a pallet. This x-ray machine is one of the most suitable solutions for use in high security facilities such as freight companies, terminals, airports, customs and general cargo.

X-RAY GENERATOR & IMAGE PERFORMANCE

Steel Penetration ¹	: 50 mm guaranteed; 52 mm typical
Wire Resolution ¹	: 36 AWG guaranteed; 38 AWG typical
Anode Voltage	: 200kV, operating at 200kV
Tube Current	: 1,2 mA
Beam Direction	: Horizontally Sideward
Article Separation	: Low Z, Medium Z, High Z to 0,5 Z Accuracy
Cooling	: Oil and forced air cooling

COMPUTER SPECIFICATIONS

Processor	: Intel® Core™ i5 (or superior)
Monitor	: 21,5" Flat (or superior)
Memory	: 4 GB RAM (or superior)
Video Card	: 2 GB (or superior)
Hard Drive	: 1 TB (or superior)
USB Port	: 6 port (or superior)
Operating System	: Linux

OPTIONAL FEATURES

Barcode Reader System
External Camera Archiving
Remote Viewing Station
Recheck Station
Network Supervisory System (NSS)
Remote Access Connection
Smart Card Login

STANDARD FEATURES

Programmable Function Keys
Parcel Counter
Date and Time Display
Virtual Threat Image Projection (TIP)
Organic/Inorganic Threat Alarm
Operator Training Program (OTP)
UPS (For Computer Supply)
Multi Languages
Self Diagnosis
Generator Timer
Automatic Stop Conveyor

HEALTH AND SAFETY

All X-Ray Center Ltd products meet all applicable international health and safety regulations.

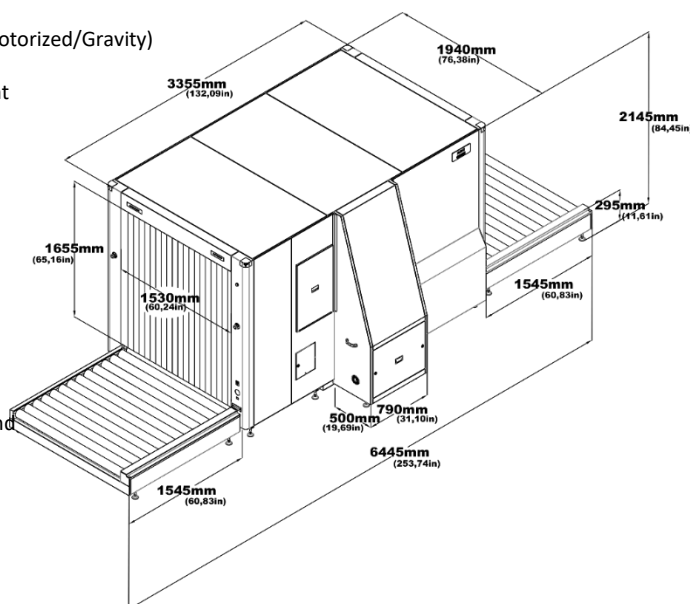
US FDA Federal Standard 21CFR 1020.40	
Health and Safety at Work Act 1974-compliant 6 : Available	
Film Safety	: ISO 1600 / 33 DIN
CE Compliance	: Certified
FCC & IEC Compatibility	: Available
IP 20 Safety	: Certified
Maximum level of radiation the exterior panels come in contact with is 0.1 mR/hour	

STANDARD IMAGE PROCESSING FEATURES

Perfect View (Detail Enhancement) (PV)
Edge Enhancement (EE)
Pseudo Color (PS)
Organic Materials (OM)
Inorganic Materials (IM)
Black & White (B/W)
Inverse Colors (IN)
High Penetration (HP)
Variable Edge Enhancement (+E -E)
Variable Density (+D -D)
Variable Gamma (+G -G)
Variable Color Separation (+C -C)
Zoom (64x)
Sniper Zoom
Recall Previous Images
Manual/Automatic Archive
Annotated Archive
Multi Energy Viewer (4 – 6 Color)
Atomic Number Display (Z Value)

OPTIONAL ACCESSORIES

External UPS (For system)
Operator Console (Open-Closed/Adjustable/I-stand)
21,5" - 27" Flat Monitor
Input / Output Rollers
Test Kit (STP/ASTM)
Protective Cover
Search Table
Tray Return System (Motorized/Gravity)
Inclined Conveyor
Ultrasonic Rat Repellent
Radiation Meter



OPERATING ENVIRONMENT

Storage / Operating Temperature	: -20°C to 50°C / 0°C to 40°C (-4°F to 122°F / 32°F to 104°F)
Relative Humidity	: 10% to 90% non-condensing

¹As tested on X-Ray Center Ltd. test piece. Conveyor speed is 0.20 m/sec.

Products certified as TSA, ECAC and so on are available as an option. Please inquire from your dealer.

Due to continuous product development, X-Ray Center reserves the right to change specifications without notice.

XRC 150-165DV

XRC 150-165DV x-ray baggage scanner facilitates the operators use thanks to the various image processing functions, hazard alarm, advanced computer technology and the best in class software with its **200kV** generator source. It makes it extraordinarily easy to detect threats such as cutting tools, explosive narcotics and reduces the rate of error. It provides unique image quality by showing the scanned organic, inorganic and mixed items in different colors thanks to its multi-diode structure and quality in imaging of scanned objects. It is manufactured with **dual view (DV)** technology. Thanks to its 2 generator sources, it provides high resolution and detailed imaging in horizontal and vertical angles. The visuals can be accessed with a single scan without the need to re-place the packages in a different orientation. Thus, hidden objects in the luggage are detected more easily and quickly. It is designed with the latest technology to scan medium and large packages on a pallet. XRC 150-165DV is one of the most suitable solutions for use in high security facilities such as freight companies, terminals, airports, customs and general cargo.

X-RAY GENERATOR & IMAGE PERFORMANCE

Steel Penetration ¹	: 50 mm guaranteed; 52 mm typical
Wire Resolution ¹	: 36 AWG guaranteed; 38 AWG typical
Anode Voltage	: 200kV, operating at 200kV
Tube Current	: 1,2 mA
Beam Direction	1st Generator : Vertically downward 2nd Generator : Horizontally sideward
Article Separation	Low Z, Medium Z, High Z to 0,5 Z Accuracy
Cooling	Oil and forced air cooling

COMPUTER SPECIFICATIONS

Processor	: Intel® Core™ i5 (or superior)
Monitor	: 21,5" Flat (or superior)
Memory	: 4 GB RAM (or superior)
Video Card	: 2 GB (or superior)
Hard Drive	: 1 TB (or superior)
USB Port	: 6 port (or superior)
Operating System	: Linux

OPTIONAL FEATURES

Barcode Reader System
External Camera Archiving
Remote Viewing Station
Recheck Station
Network Supervisory System (NSS)
Remote Access Connection
Smart Card Login

STANDARD FEATURES

Programmable Function Keys
Parcel Counter
Date and Time Display
Virtual Threat Image Projection (TIP)
Organic/Inorganic Threat Alarm
Operator Training Program (OTP)
UPS (For Computer Supply)
Multi Languages
Self Diagnosis
Generator Timer
Automatic Stop Conveyor

HEALTH AND SAFETY

All X-Ray Center Ltd products meet all applicable international health and safety regulations.

US FDA Federal Standard 21CFR 1020.40

Health and Safety at Work Act 1974-compliant 6 : Available

Film Safety : ISO 1600 / 33 DIN

CE Compliance : Certified

FCC & IEC Compatibility : Available

IP 20 Safety : Certified

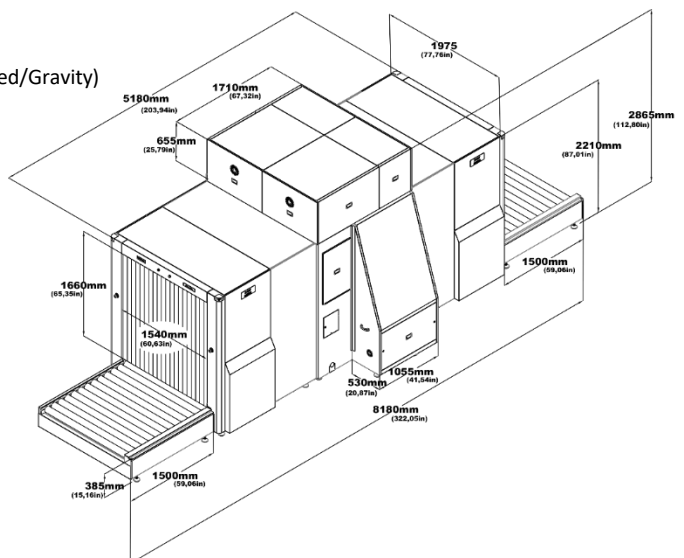
Maximum level of radiation the exterior panels come in contact with is 0.1 mR/hour

STANDARD IMAGE PROCESSING FEATURES

Perfect View (Detail Enhancement) (PV)
Edge Enhancement (EE)
Pseudo Color (PS)
Organic Materials (OM)
Inorganic Materials (IM)
Black & White (B/W)
Inverse Colors (IN)
High Penetration (HP)
Variable Edge Enhancement (+E -E)
Variable Density (+D -D)
Variable Gamma (+G -G)
Variable Color Separation (+C -C)
Zoom (64x)
Sniper Zoom
Recall Previous Images
Manual/Automatic Archive
Annotated Archive
Multi Energy Viewer (4 - 6 Color)
Atomic Number Display (Z Value)

OPTIONAL ACCESSORIES

External UPS (For system)
Operator Console (Open-Closed/Adjustable/I-stand)
21,5"- 27" Flat Monitor
Input / Output Rollers
Test Kit (STP/ASTM)
Protective Cover
Search Table
Tray Return System (Motorized/Gravity)
Inclined Conveyor
Ultrasonic Rat Repellent
Radiation Meter



OPERATING ENVIRONMENT

Storage / Operating Temperature : -20°C to 50°C / 0°C to 40°C
(-4°F to 122°F / 32°F to 104°F)

Relative Humidity : 10% to 90% non-condensing

¹As tested on X-Ray Center Ltd. test piece. Conveyor speed is 0.20 m/sec.

Products certified as TSA, ECAC and so on are available as an option. Please inquire from your dealer.

Due to continuous product development, X-Ray Center reserves the right to change specifications without notice.

XRC 150-165DV (320kV)

With its **320kV** generator XRC 150-165DV x-ray baggage scanner provides superior performance and facilitates the operators use thanks to the various image processing functions, hazard alarm, advanced computer technology and the best in class software. It provides exceptional ease in detecting threats such as cutting tools, explosives narcotics and minimizes the error rate. Thanks to its multi-diode structure and quality in imaging of scanned objects /materials), image is colored based on density and shows organic, inorganic and mixed materials in different tones. It is manufactured with **dual view (DV)** technology. Thanks to its 2 generator sources, it provides high resolution and detailed imaging in horizontal and vertical angles. The images can be accessed with a single scan without the need to re-place the packages in a different orientation. Thus, hidden objects in the luggage are detected more easily and quickly. Designed with the latest technology to scan medium and large packages on a pallet. **XRC 150-165DV (320kV)** is one of the most suitable solutions for use in high security facilities such as freight companies, terminals, airports, customs and general cargo.

X-RAY GENERATOR & IMAGE PERFORMANCE

Steel Penetration ¹	: 70 mm guaranteed; 72 mm typical
Wire Resolution ¹	: 36 AWG guaranteed; 38 AWG typical
Anode Voltage	: 320kV, operating at 320kV
Tube Current	: 1,0 mA
Beam Direction	1st Generator : Vertically downward 2nd Generator : Horizontally sideward
Article Separation	: Low Z, Medium Z, High Z to 0,5 Z Accuracy
Cooling	: Oil and forced air cooling

COMPUTER SPECIFICATIONS

Processor	: Intel® Core™ i5 (or superior)
Monitor	: Dual 21,5" Flat (or superior)
Memory	: 4 GB RAM (or superior)
Video Card	: 2 GB (or superior)
Hard Drive	: 1 TB (or superior)
USB Port	: 6 port (or superior)
Operating System	: Linux

OPTIONAL FEATURES

- Barcode Reader System
- External Camera Archiving
- Remote Viewing Station
- Recheck Station
- Network Supervisory System (NSS)
- Remote Access Connection
- Smart Card Login

STANDARD FEATURES

- Programmable Function Keys
- Parcel Counter
- Date and Time Display
- Virtual Threat Image Projection (TIP)
- Organic/Inorganic Threat Alarm
- Operator Training Program (OTP)
- UPS (For Computer Supply)
- Multi Languages
- Self Diagnosis
- Generator Timer
- Automatic Stop Conveyor

HEALTH AND SAFETY

All X-Ray Center Ltd products meet all applicable international health and safety regulations.

US FDA Federal Standard 21CFR 1020.40

Health and Safety at Work Act 1974-compliant 6 : Available

Film Safety : ISO 1600 / 33 DIN

CE Compliance : Certified

FCC & IEC Compatibility : Available

IP 20 Safety : Certified

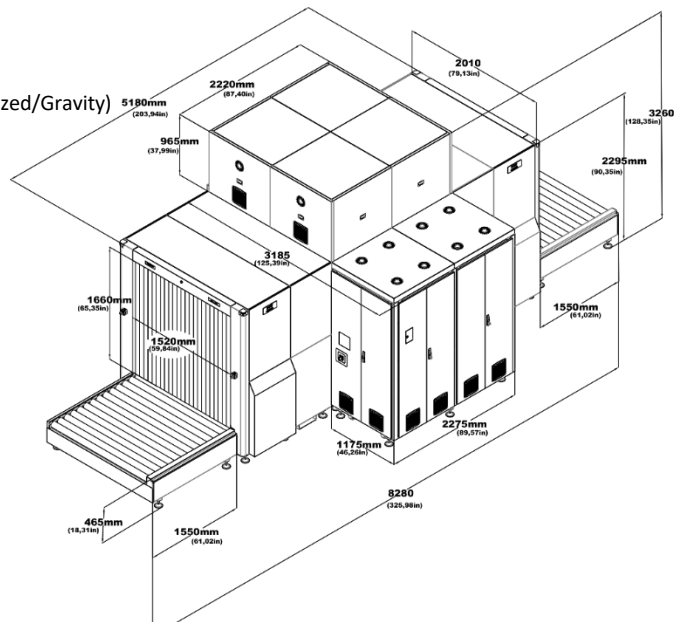
Maximum level of radiation the exterior panels come in contact with is 0.1 mR/hour

STANDARD IMAGE PROCESSING FEATURES

- Perfect View (Detail Enhancement) (PV)
- Edge Enhancement (EE)
- Pseudo Color (PS)
- Organic Materials (OM)
- Inorganic Materials (IM)
- Black & White (B/W)
- Inverse Colors (IN)
- High Penetration (HP)
- Variable Edge Enhancement (+E -E)
- Variable Density (+D -D)
- Variable Gamma (+G -G)
- Variable Color Separation (+C -C)
- Zoom (64x)
- Sniper Zoom
- Recall Previous Images
- Manual/Automatic Archive
- Annotated Archive
- Multi Energy Viewer (4 - 6 Color)
- Atomic Number Display (Z Value)

OPTIONAL ACCESSORIES

- External UPS (For system)
- Operator Console (Open-Closed/Adjustable/I-stand)
- 21,5"- 27" Flat Monitor
- Input / Output Rollers
- Test Kit (STP/ASTM)
- Protective Cover
- Search Table
- Tray Return System (Motorized/Gravity)
- Inclined Conveyor
- Ultrasonic Rat Repellent
- Radiation Meter



OPERATING ENVIRONMENT

Storage / Operating Temperature : -20°C to 50°C / 0°C to 40°C
(-4°F to 122°F / 32°F to 104°F)

Relative Humidity : 10% to 90% non-condensing

¹As tested on X-Ray Center Ltd. test piece. Conveyor speed is 0.20 m/sec.

Products certified as TSA, ECAC and so on are available as an option. Please inquire from your dealer.

Due to continuous product development, X-Ray Center reserves the right to change specifications without notice.

XRC 180-180

XRC 180-180 x-ray baggage scanner facilitates the operators use thanks to the various image processing functions, hazard alarm, advanced computer technology and the best in class software and provides excellent performance thanks to its **200kV** generator. It makes it extraordinarily easy to detect threats such as cutting tools, explosive narcotics and reduces the rate of error.

Thanks to its multi-diode structure and quality in imaging of scanned materials, image is colored based on density and shows organic, inorganic and mixed materials in different tones.

It is an efficient and a powerful device for scanning medium and large packages on a pallet. Institutions ensure that packages are inspected in places where inspection is required this x-ray device is one of the most suitable solutions for use in high security facilities such as freight companies, terminals, airports, customs and general cargo.

X-RAY GENERATOR & IMAGE PERFORMANCE

Steel Penetration ¹	: 50 mm guaranteed; 52 mm typical
Wire Resolution ¹	: 36 AWG guaranteed; 38 AWG typical
Anode Voltage	: 200kV, operating at 200kV
Tube Current	: 1,2 mA
Beam Direction	: Horizontally sideward
Article Separation	: Low Z, Medium Z, High Z to 0,5 Z Accuracy
Cooling	: Oil and forced air cooling

COMPUTER SPECIFICATIONS

Processor	: Intel® Core™ i5 (or superior)
Monitor	: 21,5" Flat (or superior)
Memory	: 4 GB RAM (or superior)
Video Card	: 2 GB (or superior)
Hard Drive	: 1 TB (or superior)
USB Port	: 6 port (or superior)
Operating System	: Linux

OPTIONAL FEATURES

Barcode Reader System
External Camera Archiving
Remote Viewing Station
Recheck Station
Network Supervisory System (NSS)
Remote Access Connection
Smart Card Login

OPTIONAL ACCESSORIES

External UPS (For system)
Operator Console (Open-Closed/Adjustable/I-stand)
21,5"- 27" Flat Monitor
Input / Output Rollers
Test Kit (STP/ASTM)
Protective Cover
Search Table
Tray Return System (Motorized/Gravity)
Inclined Conveyor
Ultrasonic Rat Repellent
Radiation Meter

HEALTH AND SAFETY

All X-Ray Center Ltd products meet all applicable international health and safety regulations.

US FDA Federal Standard 21CFR 1020.40

Health and Safety at Work Act 1974-compliant 6 : Available

Film Safety : ISO 1600 / 33 DIN

CE Compliance : Certified

FCC & IEC Compatibility : Available

IP 20 Safety : Certified

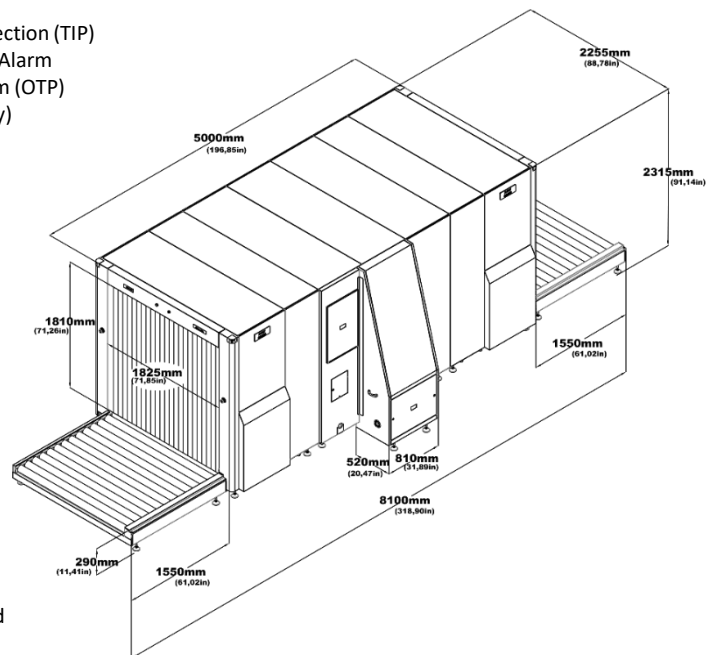
Maximum level of radiation the exterior panels come in contact with is 0.1 mR/hour

STANDARD IMAGE PROCESSING FEATURES

Perfect View (Detail Enhancement) (PV)
Edge Enhancement (EE)
Pseudo Color (PS)
Organic Materials (OM)
Inorganic Materials (IM)
Black & White (B/W)
Inverse Colors (IN)
High Penetration (HP)
Variable Edge Enhancement (+E -E)
Variable Density (+D -D)
Variable Gamma (+G -G)
Variable Color Separation (+C -C)
Zoom (64x)
Sniper Zoom
Recall Previous Images
Manual/Automatic Archive
Annotated Archive
Multi Energy Viewer (4 – 6 Color)
Atomic Number Display (Z Value)

STANDARD FEATURES

Programmable Function Keys
Parcel Counter
Date and Time Display
Virtual Threat Image Projection (TIP)
Organic/Inorganic Threat Alarm
Operator Training Program (OTP)
UPS (For Computer Supply)
Multi Languages
Self Diagnosis
Generator Timer
Automatic Stop Conveyor



OPERATING ENVIRONMENT

Storage / Operating Temperature : -20°C to 50°C / 0°C to 40°C
(-4°F to 122°F / 32°F to 104°F)
Relative Humidity : 10% to 90% non-condensing

¹As tested on X-Ray Center Ltd. test piece. Conveyor speed is 0.20 m/sec.

Products certified as TSA, ECAC and so on are available as an option. Please inquire from your dealer.

Due to continuous product development, X-Ray Center reserves the right to change specifications without notice.

XRC 180-180DV

180-180DV provides excellent performance thanks to its **200kV** generator and manufactured with dual view (DV) technology. Thanks to its 2 generator sources, it provides high resolution and detailed imaging in horizontal and vertical angles. The visuals can be accessed with a single scan without the need to re-place the packages in a different orientation. Thus, hidden objects in the luggage are detected more easily and quickly. The device itself facilitates the operators use thanks to the various image processing functions, hazard alarm, advanced computer technology and the best in class software. It provides exceptional ease in detecting threats such as cutting tools, explosives narcotics and minimizes the error rate. It offers unique image quality by showing the scanned organic, inorganic and mixed items in different colors thanks to its multi-diode structure and quality in imaging of scanned objects. It is designed with the latest technology to scan medium and large packages on a pallet in detail and provides the ideal solution for locations where security screening is required in high security facilities such as freight companies, terminals, airports, customs and general cargo .

X-RAY GENERATOR & IMAGE PERFORMANCE

Steel Penetration ¹	: 50 mm guaranteed; 52 mm typical
Wire Resolution ¹	: 36 AWG guaranteed; 38 AWG typical
Anode Voltage	: 200kV, operating at 200kV
Tube Current	: 1,2 mA
Beam Direction	1st Generator : Vertically downward 2nd Generator : Horizontally sideward
Article Separation	: Low Z, Medium Z, High Z to 0,5 Z Accuracy
Cooling	: Oil and forced air cooling

COMPUTER SPECIFICATIONS

Processor	: Intel® Core™ i5 (or superior)
Monitor	: Dual 21,5" Flat (or superior)
Memory	: 4 GB RAM (or superior)
Video Card	: 2 GB (or superior)
Hard Drive	: 1 TB (or superior)
USB Port	: 6 port (or superior)
Operating System	: Linux

OPTIONAL FEATURES

- Barcode Reader System
- External Camera Archiving
- Remote Viewing Station
- Recheck Station
- Network Supervisory System (NSS)
- Remote Access Connection
- Smart Card Login

OPTIONAL ACCESSORIES

- External UPS (For system)
- Operator Console (Open-Closed/Adjustable/I-stand)
- 21,5"- 27" Flat Monitor
- Input / Output Rollers
- Test Kit (STP/ASTM)
- Protective Cover
- Search Table
- Tray Return System (Motorized/Gravity)
- Inclined Conveyor
- Ultrasonic Rat Repellent
- Radiation Meter

HEALTH AND SAFETY

All X-Ray Center Ltd products meet all applicable international health and safety regulations.

US FDA Federal Standard 21CFR 1020.40

Health and Safety at Work Act 1974-compliant 6 : Available

Film Safety : ISO 1600 / 33 DIN

CE Compliance : Certified

FCC & IEC Compatibility : Available

IP 20 Safety : Certified

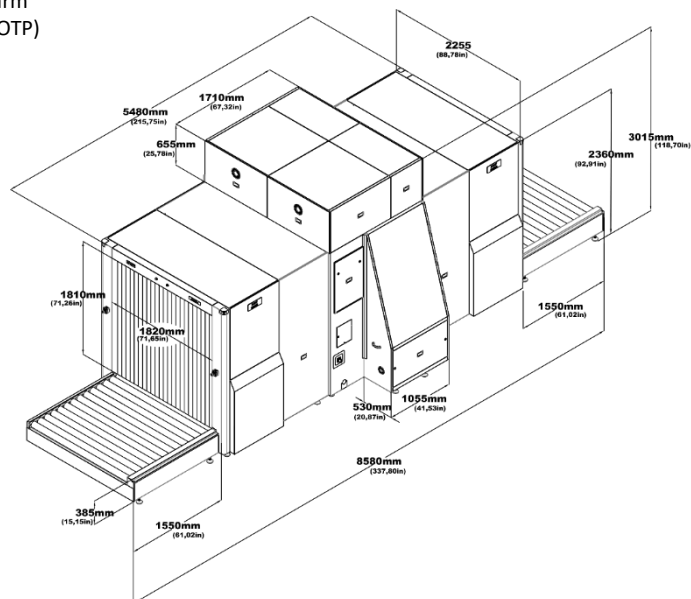
Maximum level of radiation the exterior panels come in contact with is 0.1 mR/hour

STANDARD IMAGE PROCESSING FEATURES

- Perfect View (Detail Enhancement) (PV)
- Edge Enhancement (EE)
- Pseudo Color (PS)
- Organic Materials (OM)
- Inorganic Materials (IM)
- Black & White (B/W)
- Inverse Colors (IN)
- High Penetration (HP)
- Variable Edge Enhancement (+E -E)
- Variable Density (+D -D)
- Variable Gamma (+G -G)
- Variable Color Separation (+C -C)
- Zoom (64x)
- Sniper Zoom
- Recall Previous Images
- Manual/Automatic Archive
- Annotated Archive
- Multi Energy Viewer (4 - 6 Color)
- Atomic Number Display (Z Value)

STANDARD FEATURES

- Programmable Function Keys
- Parcel Counter
- Date and Time Display
- Virtual Threat Image Projection (TIP)
- Organic/Inorganic Threat Alarm
- Operator Training Program (OTP)
- UPS (For Computer Supply)
- Multi Languages
- Self Diagnosis
- Generator Timer
- Automatic Stop Conveyor



OPERATING ENVIRONMENT

Storage / Operating Temperature : -20°C to 50°C / 0°C to 40°C
(-4°F to 122°F / 32°F to 104°F)

Relative Humidity : 10% to 90% non-condensing

¹As tested on X-Ray Center Ltd. test piece. Conveyor speed is 0.20 m/sec.

Products certified as TSA, ECAC and so on are available as an option. Please inquire from your dealer.

Due to continuous product development, X-Ray Center reserves the right to change specifications without notice.

XRC 180-180DV (320kV)

American Transportation Security Administration (TSA) ACSTL qualified x-ray scanner, XRC 180-180DV provides superior performance with its **320kV** generator and also it is designed with **dual view (DV)** technology. Thanks to its 2 generator sources, it provides high resolution and detailed imaging in horizontal and vertical angles. The images can be accessed with a single scan without the need to re-place the packages in a different orientation. Thus, hidden objects in the luggage are detected more easily and quickly. It facilitates the operators use thanks to the various image processing functions, hazard alarm, advanced computer technology and the best in class software. It provides exceptional ease in detecting threats such as cutting tools, explosives narcotics and minimizes the error rate. Thanks to its multi-diode structure and quality in imaging of scanned materials, image is colored based on density and shows organic, inorganic and mixed materials in different tones. It is designed with the latest technology to scan medium and large packages on a pallet and it is one of the most suitable solutions for use in high security facilities such as freight companies, terminals, airports, customs and general cargo.

X-RAY GENERATOR & IMAGE PERFORMANCE

Steel Penetration ¹	: 70 mm guaranteed; 72 mm typical
Wire Resolution ¹	: 36 AWG guaranteed; 38 AWG typical
Anode Voltage	: 320kV, operating at 320kV
Tube Current	: 1,0 mA
Beam Direction	1st Generator : Vertically downward 2nd Generator : Horizontally sideward
Article Separation	: Low Z, Medium Z, High Z to 0,5 Z Accuracy
Cooling	: Oil and forced air cooling

COMPUTER SPECIFICATIONS

Processor	: Intel® Core™ i5 (or superior)
Monitor	: Dual 21,5" Flat (or superior)
Memory	: 4 GB RAM (or superior)
Video Card	: 2 GB (or superior)
	: 1 TB (or superior)
USB Port	: 6 port (or superior)
Operating System	: Linux

OPTIONAL FEATURES

- Barcode Reader System
- External Camera Archiving
- Remote Viewing Station
- Recheck Station
- Network Supervisory System (NSS)
- Remote Access Connection
- Smart Card Login

OPTIONAL ACCESSORIES

- External UPS (For system)
- Operator Console (Open-Closed/Adjustable/I-stand)
- 21,5" - 27" Flat Monitor
- Input / Output Rollers
- Test Kit (STP/ASTM)
- Protective Cover
- Search Table
- Tray Return System (Motorized/Gravity)
- Inclined Conveyor
- Ultrasonic Rat Repellent
- Radiation Meter

HEALTH AND SAFETY

All X-Ray Center Ltd products meet all applicable international health and safety regulations.

US FDA Federal Standard 21CFR 1020.40

Health and Safety at Work Act 1974-compliant 6 : Available

Film Safety	: ISO 1600 / 33 DIN
CE Compliance	: Certified
FCC & IEC Compatibility	: Available
IP 20 Safety	: Certified

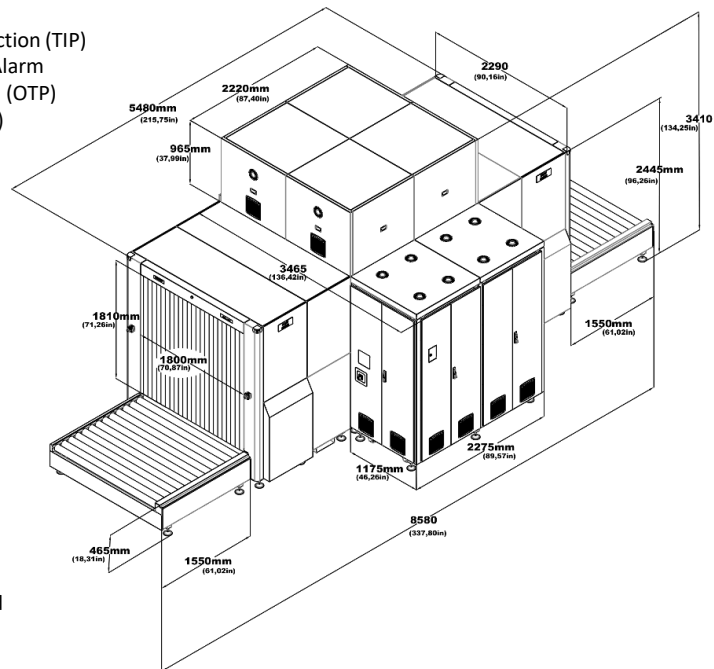
Maximum level of radiation the exterior panels come in contact with is 0.1 mR/hour

STANDARD IMAGE PROCESSING FEATURES

- Perfect View (Detail Enhancement) (PV)
- Edge Enhancement (EE)
- Pseudo Color (PS)
- Organic Materials (OM)
- Inorganic Materials (IM)
- Black & White (B/W)
- Inverse Colors (IN)
- High Penetration (HP)
- Variable Edge Enhancement (+E -E)
- Variable Density (+D -D)
- Variable Gamma (+G -G)
- Variable Color Separation (+C -C)
- Zoom (64x)
- Sniper Zoom
- Recall Previous Images
- Manual/Automatic Archive
- Annotated Archive
- Multi Energy Viewer (4 - 6 Color)
- Atomic Number Display (Z Value)

STANDARD FEATURES

- Programmable Function Keys
- Parcel Counter
- Date and Time Display
- Virtual Threat Image Projection (TIP)
- Organic/Inorganic Threat Alarm
- Operator Training Program (OTP)
- UPS (For Computer Supply)
- Multi Languages
- Self Diagnosis
- Generator Timer
- Automatic Stop Conveyor



OPERATING ENVIRONMENT

Storage / Operating Temperature : -20°C to 50°C / 0°C to 40°C
(-4°F to 122°F / 32°F to 104°F)

Relative Humidity : 10% to 90% non-condensing

¹As tested on X-Ray Center Ltd. test piece. Conveyor speed is 0.20 m/sec.

Products certified as TSA, ECAC and so on are available as an option. Please inquire from your dealer.

Due to continuous product development, X-Ray Center reserves the right to change specifications without notice.

CERTIFICATES



Certificate of Co

CE EMC Certificate of Compliance



& Machinery Ce

CE LVD & Machinery Certificate



Annual Report

FDA 2021

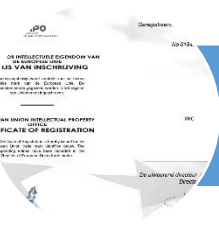


ISO 9001:2015

XRC

Reg. No. 4330/878
Registered Apr. 27, 2010
Trademark
Principal Register

XRC US Trademark Registration



XRC CTM Registration



XRC CleanBlue™ Baggage Turkish Ministry of Health Certificat

NOTE: