



# XRC CleanBlue™ UV-C BAGGAGE

## Bag, Package, Luggage Surface Cleaning



First laboratory validated system of its kind.  
Inactivates **99.9997%** of SARS-CoV-2 virus in 5 seconds.

Bags, luggage, and parcels can carry germs and viruses that can be transmitted from person to person and give rise to public health crises like the global **COVID-19** pandemic. It is therefore critical to properly clean luggage entering public spaces in order to minimize the risk of spreading infectious agents, such as SARS-CoV-2. **Ultraviolet C ("UVC") rays** kill viruses and bacteria by destroying the DNA or RNA structure of microorganisms.

**XRC CleanBlue™ UV-C Baggage** delivers a powerful array of UVC light to all of the surfaces of luggage and packages that pass through the device, including the top, bottom and sides, resulting in 99.9997% reduction in SARS-CoV-2 virus and 99.9% reduction of bacteria within 5 seconds. These results have been independently validated by an approved and accredited laboratory that does viral and bacterial testing.

**X-Ray Center** is committed to innovating and developing products that protect the world from danger and illness.

# XRC CleanBlue™ UV-C BAGGAGE

## Specifications & Technical Information

### 60-40

### 75-55

#### PHYSICAL PROPERTIES

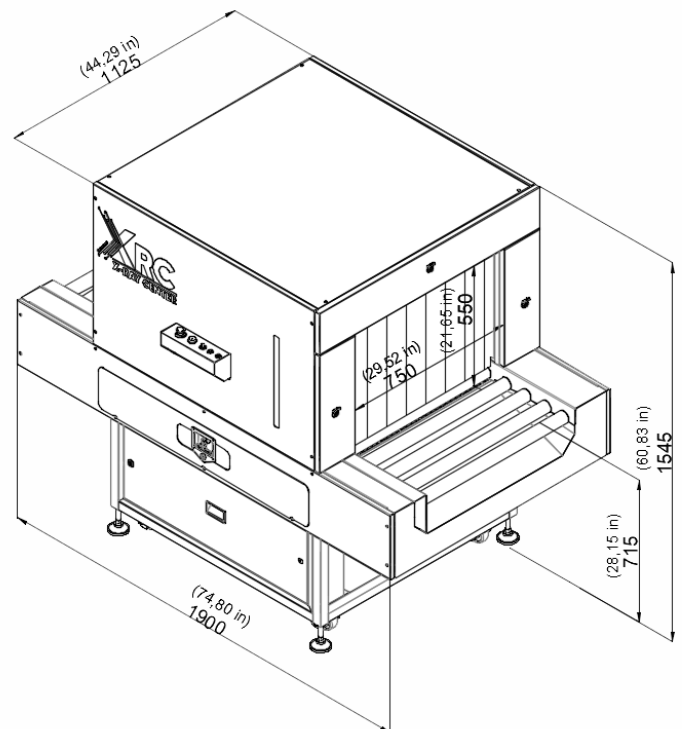
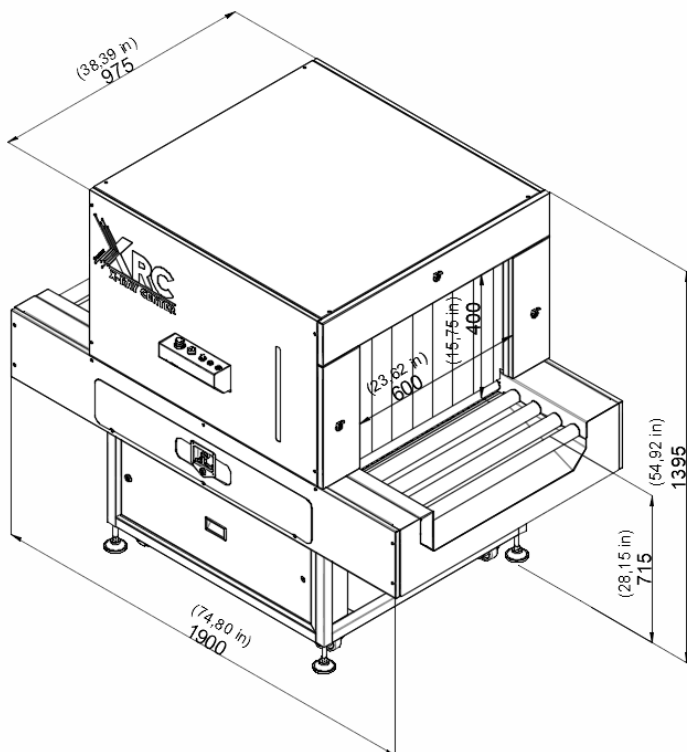
Tunnel Dimensions	600 mm (W) x 400 mm (H)	750 mm (W) x 550 mm (H)
Device Dimensions	Length: 1900 mm Height : 1395 mm Width : 975 mm	Length : 1900 mm Height : 1545 mm Width : 1125 mm
Conveyor Height	715 mm	715 mm
Approx. Weight Unpacked	430 kg	480 kg

#### TECHNICAL INFORMATION

Lamp Category	254 nm wavelength UV-C Ray
Disinfection Time	5 seconds
Lamp Life	9000 hours
Conveyor Speed	0,20 m/s (Optional)
System Power	5 A
Sensors	UV-C, Ozone (Standard) / Heat, Humidity, Infrared mov. (Optional)

#### SAFETY & EASE of USE

- \* Customizable tunnel size per customer requirements and adaptability to any X-Ray Security Screening Systems.
- \* Innovative patent pending drawer design that provides convenience and ease of use, including catch drawer to catch and retrieve falling items.
- \* First system of its kind to be validated by an independent laboratory to inactivate 99.9997% of SARS-Cov2 (COVID-19), Adenovirus, Murine Norovirus and 99.9% of bacteria, such as e-coli.
- \* Passed the EMC, LVD, Machinery Safety tests, that shows compliance with EU Directives, and received CE Certificate. Well below the EU Directive limit with UV-C Human Exposure tests according to ISO 15858:2016 and well below the limit set by the FDA (American Food and Drug Administration) with Ozone Release Human Exposure tests according to ASTM D 4490-96.
- \* The stop button can be used in emergencies.
- \* The leakage of UV-C rays to the outside is prevented by advanced technology.



Due to continuous product development, X-Ray Center reserves the right to change specifications without notice. Patent pending.

Rev.07072021

